



Cleaner Counter Sink



FEATURES

- 520 x 390mm
- Splashback & stainless steel hinges grate & pad
- 0 tap hole
- White only

WARRANTY

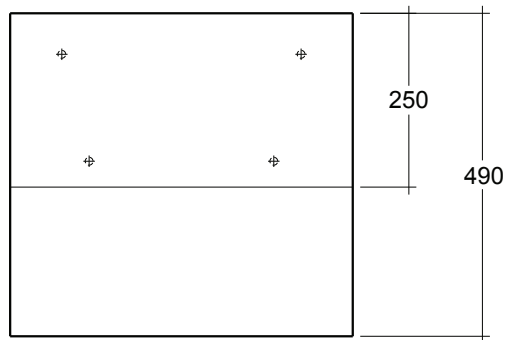
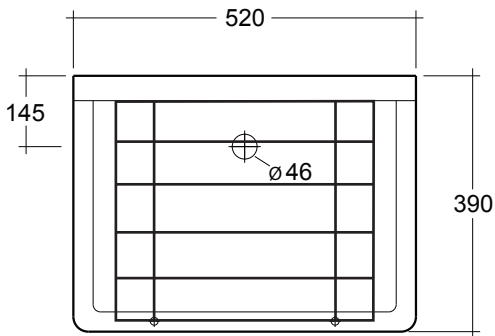
- Fire clay : 3 year (Product replacement only)

VOLUME

- 28.0 Litres

www.rakbathware.com.au 1300 661 727

Tap & pop up waste is not included



Installation Note:

Flexible sealant must be used to install basin.
To be used as a bench counter basin only.

* Tolerance: $\pm 3\%$ on dimensions below 200mm & $\pm 5\%$ for dimensions above 200mm
 All Measurements relate to finish floor or finish wall measurements.
 All information shown are correct at time of printing, 15/12/2015.
 RAK Bathware recommends, that prior to installation all technical specifications be confirmed with current tech specs on our website www.rakbathware.com.au



Water Mark
 AS / NZS 1730
 Lic. SMK01986
 Standards Australia
 MADE IN U.A.E.

