



RAK BATHWARE



www.rakbathware.com.au 1300 661 727

Compact Back to Wall Back Inlet

FEATURES

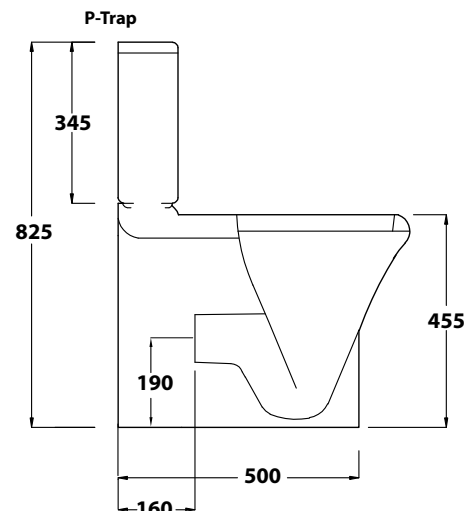
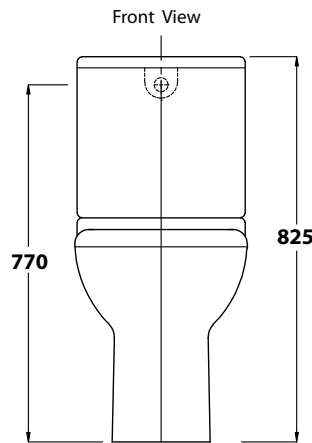
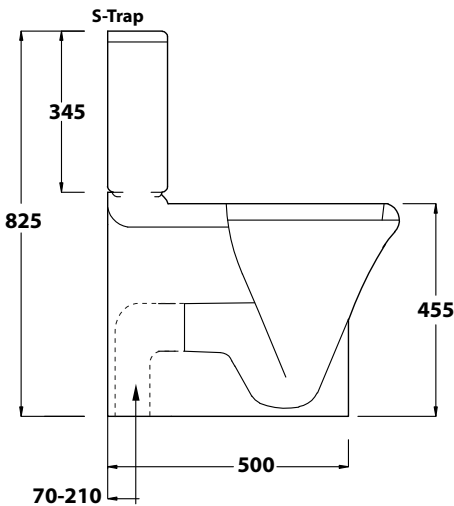
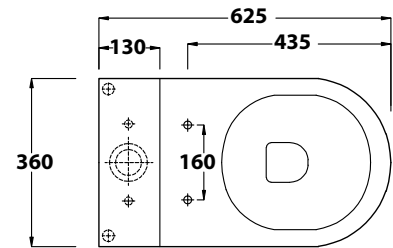
- P-Trap
- Boxed rim pan
- Concealed floor fixings
- Cistern with Geberit valves
- Urea soft close quick release seat
- Centre inlet connection
- Extended height pan
- White only
- WELS 4 star rated, 4.5/3L

WARRANTY

- Vitreous China: 10 year
- Internal valves: 2 year
- Seat: 1 year

AVAILABLE OPTIONS

- Regular S-Trap vario bend 70-160mm connector
- Maxi S-Trap vario bend 160-210mm connector
- Bottom inlet



Installation Note:

Rear inlet requires 15mm female BP flush with the finished wall

* Tolerance: $\pm 3\%$ on dimensions below 200mm & $\pm 5\%$ for dimensions above 200mm
 All Measurements relate to finish floor or finish wall measurements.
 All information shown are correct at time of printing, 16/12/2014.
 RAK Bathware recommends, that prior to installation all technical specifications be confirmed with current tech specs on our website www.rakbathware.com.au



Water Mark
 AS1172
 Lic. WMKA01985
 Standards Australia
 MADE IN U.A.E.

