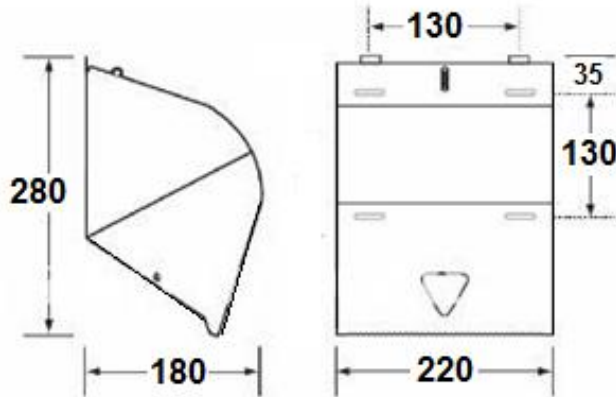


**TECHNICAL DATA**  
**ROLL PAPER TOWEL DISPENSER**  
**WHITE**

**MODEL S-121-8**



**Size:** (WHD) 220 x 280 x 180mm

**Material:** Zinc annealed with a white powder coated finish

**Alternate: S-121**

Type 304 stainless steel with a satin finish

**Construction:**

Fabricated from 1mm Zinc annealed steel with a white powder coated finish

The unit has a clip catch with provision for locking and the cover swings down for loading

The roll holder is plastic

**Capacity:**

190mm w x 150 mm o/d roll paper towel

**Installation:**

Secure to wall with mounting screws at holes provided



Phone: (02) 95344031

Fax: (02) 95841030

[www.starwashroom.com.au](http://www.starwashroom.com.au)

Email: [info@starwashroom.com.au](mailto:info@starwashroom.com.au)

ABN: 78 146 670 493 | ACN: 146 670 493

Unit 2 , 41-45 Lorraine St , Peakhurst NSW 2210

P O Box 2210 , Peakhurst NSW 2210