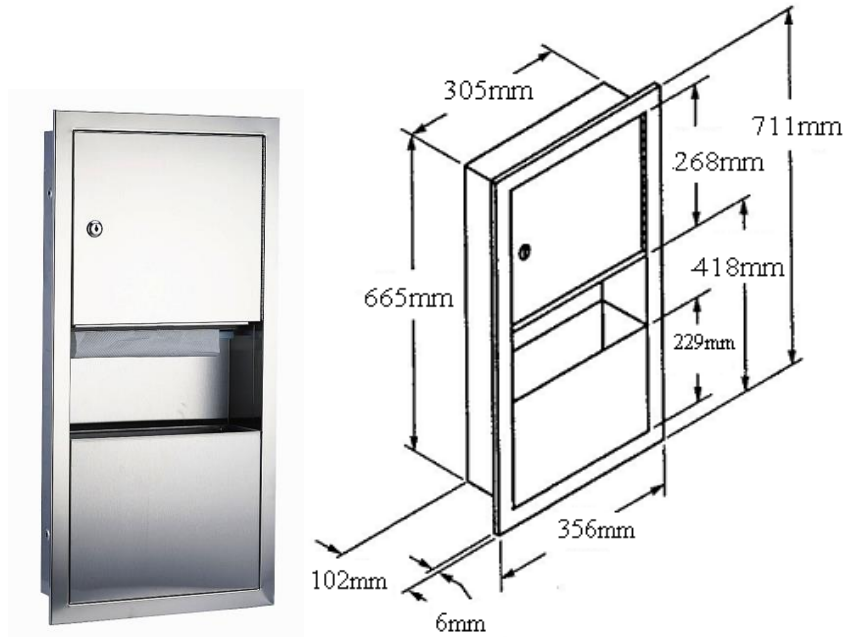


**TECHNICAL DATA
PAPER TOWEL DISPENSER
WASTE RECEPTACLE**

MODEL S-137



- S-137** Fully recessed
- S-137-15** Semi recessed
- S-137-20** Surface mounted

Construction:

The door is fabricated from type 304 - 0.7mm stainless steel with a satin finish.
Cabinet is fabricated from type 304 - 0.7 mm stainless steel.
Towel Dispenser is fabricated from type 304 - 0.7mm stainless steel.
Waste receptacle is fabricated from type 304 - 0.7mm stainless steel
Unit is locked with tumbler locks and the door is attached to the cabinet with full length piano hinge

Capacity:

2 packs of slim line interleave paper towel

Installation:

Recessed unit requires wall opening - 675mm h x 315mm w x 102mm d (Semi recessed unit only 50mm deep)
Secure to framing with mounting screws at holes provided



Phone: (02) 95344031
Fax: (02) 95841030
www.starwashroom.com.au
Email: info@starwashroom.com.au
ABN: 78 146 670 493 | ACN: 146 670 493
Unit 2 , 41-45 Lorraine St , Peakhurst NSW 2210
P O Box 2210 , Peakhurst NSW 2210