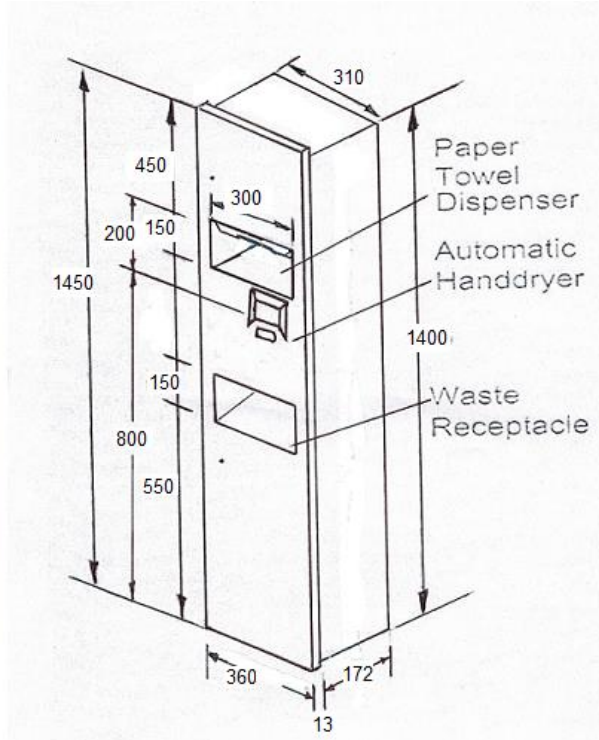


TECHNICAL DATA
PAPER TOWEL DISPENSER
AUTOMATIC HAND DRYER
WASTE RECEPTACLE (DISABLED UNIT)

MODEL S-142



- S-142** Fully recessed
- S-142-15** Semi recessed
- S-142-20** Surface mounted

Construction:

The door is fabricated from type 304 - 1.2mm stainless steel with a satin finish
Cabinet is fabricated from type 304 - 0.7 mm stainless steel
Towel dispenser is fabricated from type 304 - 0.7mm stainless steel
Waste receptacle is fabricated from type 304 - 0.7mm stainless steel
Unit is locked with tumbler locks and the door is attached to the cabinet with full length piano hinge
Automatic stainless steel hand dryer rated at 2300Watts / 10 amps

Capacity:

2 packs of slim line interleave paper towels

Installation:

Recessed unit requires a wall opening -1410mm h x 320mm w x 175mm d (semi recessed unit only 95mm deep)
Secure to framing with mounting screws at holes provided



Phone: (02) 95344031
Fax: (02) 95841030
www.starwashroom.com.au
Email: info@starwashroom.com.au
ABN: 78 146 670 493 | ACN: 146 670 493
Unit 2 , 41-45 Lorraine St , Peakhurst NSW 2210
P O Box 2210 , Peakhurst NSW 2210