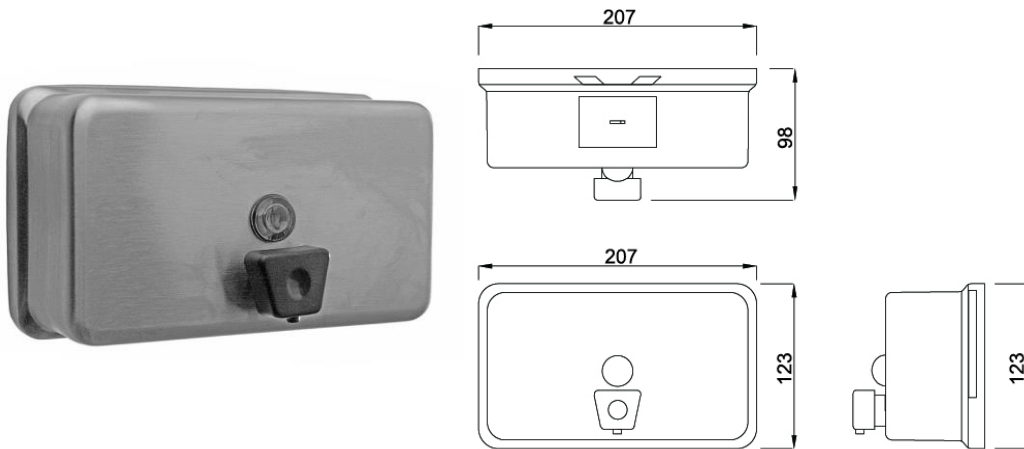


TECHNICAL DATA
HORIZONTAL SOAP DISPENSER
SURFACE MOUNTED

MODEL S-472-1-B



High contrast black button to maximize visual acuity

Size:

(WHD) 207mm x 123mm x 98mm (including the valve)

Construction:

Housing - Type 304 1.0mm stainless steel with a satin finish

Wall plate - Type 304 1.2mm stainless steel with a satin finish

Soap Valve – stainless steel housing with an ABS plastic mechanism

Capacity: 1200 ml

Operation:

The push-in valve dispenses a measured amount of liquid soap

Locked filler top opens with the special key provided

Sight gauge indicates low soap level

Installation

Secure the separate mounting bracket to the wall

Slide the dispenser into place and secure the locking screw through the filler hole

Ensure the locking screw inside the dispenser has the black “O” ring and is tight to avoid leakage



Phone: (02) 95344031

Fax: (02) 95841030

www.starwashroom.com.au

Email: info@starwashroom.com.au

ABN: 78 146 670 493 | ACN: 146 670 493

Unit 2 , 41-45 Lorraine St , Peakhurst NSW 2210
P O Box 2210 , Peakhurst NSW 2210