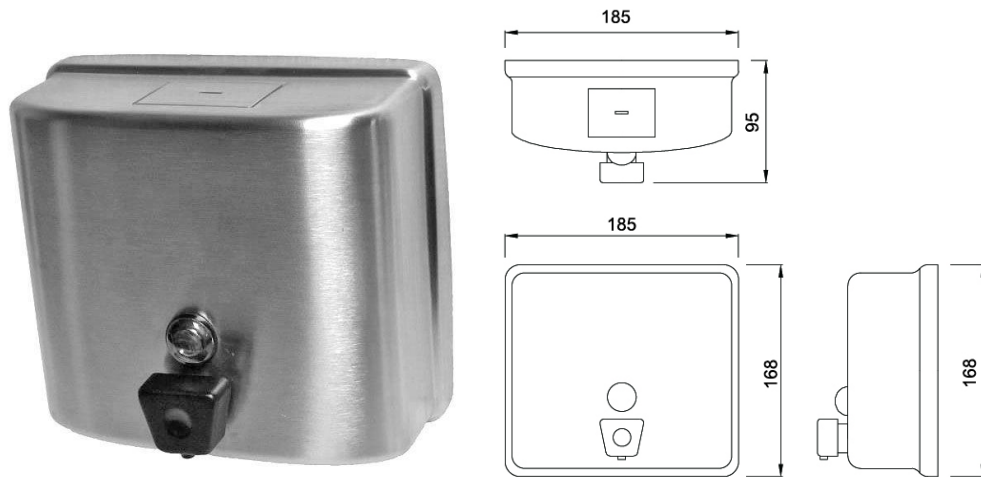


**TECHNICAL DATA
SOAP DISPENSER
SURFACE MOUNTED**

MODEL S-476-1-B



High contrast black button to maximize visual acuity

Size:
(WHD) 185mm x 168mm x 95mm (including the valve)

Construction:

- Housing** - Type 304 1.0mm stainless steel with a satin finish
- Wall plate** - Type 304 1.2mm stainless steel with a satin finish
- Soap Valve** – chrome plated brass housing with an ABS plastic mechanism

Capacity: 1200 ml

Operation:

- The push-in valve dispenses a measured amount of liquid soap
- Locked filler top opens with the special key provided
- Sight gauge indicates low soap level

Installation

- Secure the separate mounting bracket to the wall
- Slide the dispenser into place and secure the locking screw through the filler hole



Phone: (02) 95344031
Fax: (02) 95841030
www.starwashroom.com.au
Email: info@starwashroom.com.au
ABN: 78 146 670 493 | ACN: 146 670 493
Unit 2 , 41-45 Lorraine St , Peakhurst NSW 2210
P O Box 2210 , Peakhurst NSW 2210