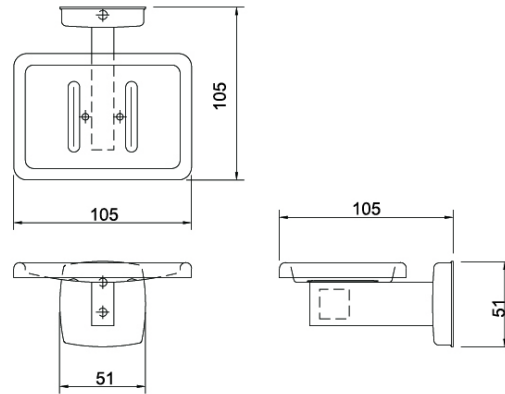


TECHNICAL DATA SURFACE MOUNTED SOAP DISH

MODEL S-513



Size: (WHD) 105mm x 51mm x 105mm

Material: Type 304 stainless steel with a bright polished finish.

Optional: S-5136 Satin finish stainless steel

Construction:

The tray is fabricated from type 304 -0.9mm stainless steel

The mounting bracket is fabricated from type 304 – 1.0mm stainless steel

Installation:

Secure the concealed mounting brackets to the wall using the screws provided

Mount the projecting arms and escutcheons to the bracket and secure with the locking screw



Phone: (02) 95344031

Fax: (02) 95841030

www.starwashroom.com.au

Email: info@starwashroom.com.au

ABN: 78 146 670 493 | ACN: 146 670 493

Unit 2 , 41-45 Lorraine St , Peakhurst NSW 2210
P O Box 2210 , Peakhurst NSW 2210