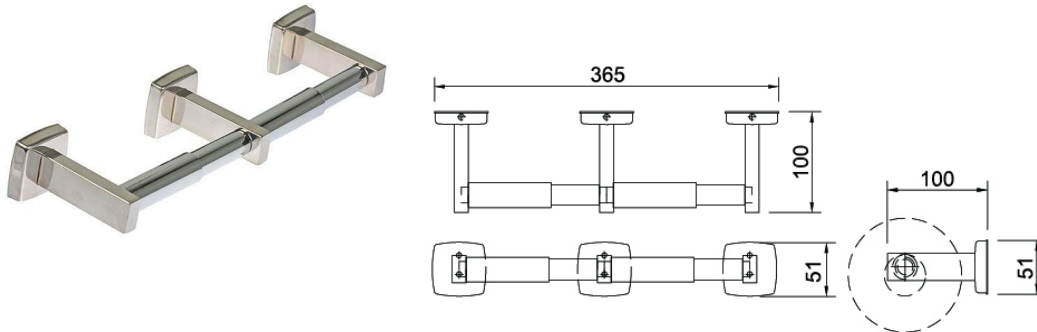


# TECHNICAL DATA DOUBLE SURFACE MOUNTED TOILET TISSUE DISPENSER

MODEL S-617



**Size:**  
(WHD) 365mm x 51mm x 100mm

**Material:**  
Manufactured from type 304 stainless steel with a bright polished finish

**Optional: S-6176**  
As above with a satin finish

**Construction:**  
The post is fabricated from type 304 - 0.7mm stainless steel  
Escutcheons are fabricated from type 304 - 0.9mm stainless steel  
The spindle is chrome plated plastic  
Mounting Bracket is fabricated from type 304 - 1.0mm stainless steel

**Capacity:**  
Two standard core toilet tissue rolls up to 125mm in diameter

**Operation:**  
The spindles turn freely providing a non-controlled delivery

**Installation:**  
Secure the concealed wall mounting brackets to wall with screws using the holes provided  
Mount projecting arms and escutcheons to the brackets and secure with concealed locking screws



Phone: (02) 95344031  
Fax: (02) 95841030  
[www.starwashroom.com.au](http://www.starwashroom.com.au)  
Email: [info@starwashroom.com.au](mailto:info@starwashroom.com.au)  
ABN: 78 146 670 493 | ACN: 146 670 493  
Unit 2 , 41-45 Lorraine St , Peakhurst NSW 2210  
P O Box 2210 , Peakhurst NSW 2210