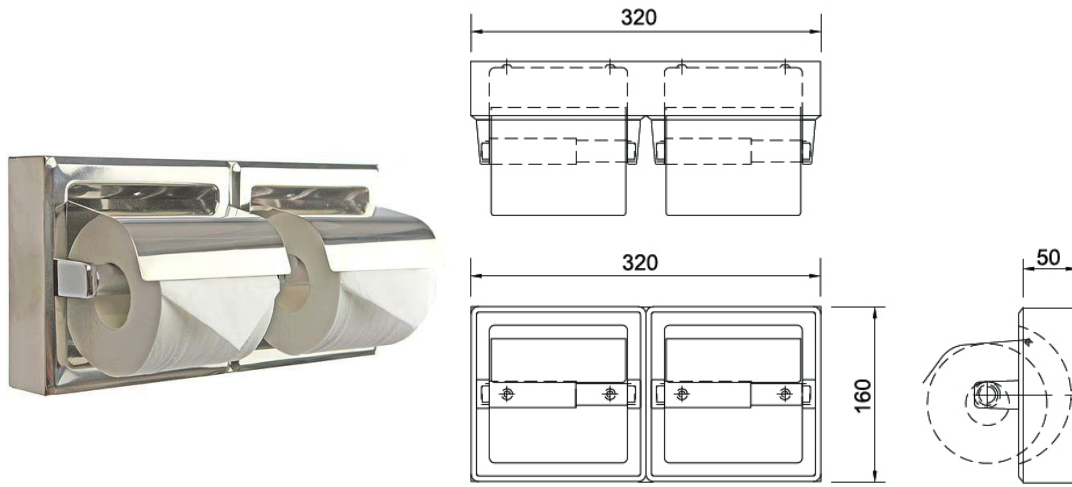


**TECHNICAL DATA**  
**DOUBLE ROLL TOILET TISSUE HOLDER**  
**SURFACE MOUNTED WITH HOOD**

**MODEL S-6332**



**Size:**  
(WHD) 320mm x160mm x 100mm

**Material:**  
Fabricated from type 304 - 0.7mm stainless steel with a polished finish  
Spring loaded chrome roller

**Optional:**  
**S-633** As above, single toilet roll holder  
**S-6336** As above with a satin finish

**Capacity:**  
Two rolls of standard core toilet tissue

**Installation:**  
Secures to the wall with mounting screws using the holes provided



Phone: (02) 95344031  
Fax: (02) 95841030  
www.starwashroom.com.au  
Email: info@starwashroom.com.au  
ABN: 78 146 670 493 | ACN: 146 670 493  
Unit 2 , 41-45 Lorraine St , Peakhurst NSW 2210  
P O Box 2210 , Peakhurst NSW 2210