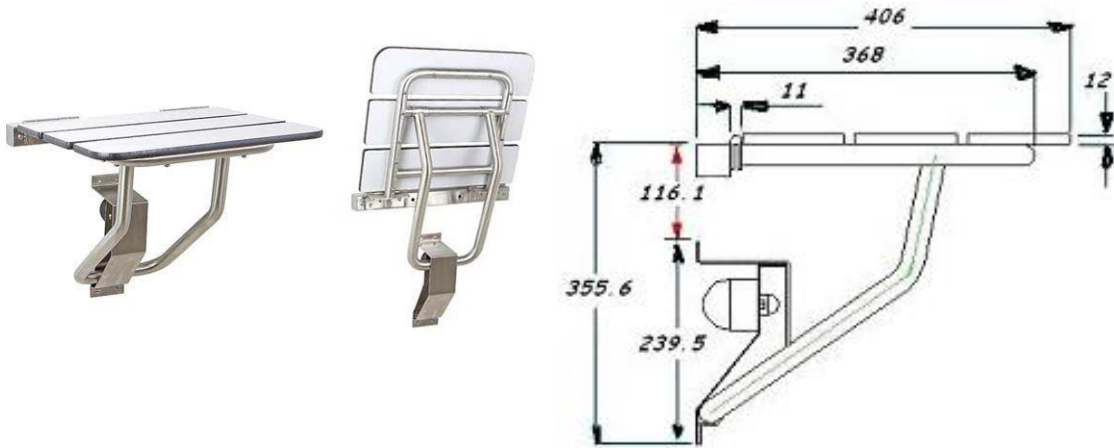


TECHNICAL DATA FOLDING SHOWER SEAT

MODEL S-723-432



Size:
(WHD) 432mm x 355mm x 406mm

Material:
The frame is fabricated from type 304 - 25mm x 1.2mm stainless steel tube with a satin finish
The wall bracket is fabricated from type 304 - 1.6mm wall stainless steel square tube with a satin finish
The support bracket is fabricated from type 304 - 3mm stainless steel with a satin finish
A plastic catch securely holds the seat in the up position
The seat consist of three 120mm wide x 12mm thick white laminated waterproof slats

Optional:
S-723-960 As above with a 960mm width

Operation:
The hinged seat folds up when not in use

Installation:
Secures to the wall with mounting screws using the holes provided
Secure the support bracket to the wall in the sitting position with mounting screws using the holes provided



Phone: (02) 95344031
Fax: (02) 95841030
www.starwashroom.com.au
Email: info@starwashroom.com.au
ABN: 78 146 670 493 | ACN: 146 670 493
Unit 2 , 41-45 Lorraine St , Peakhurst NSW 2210
P O Box 2210 , Peakhurst NSW 2210