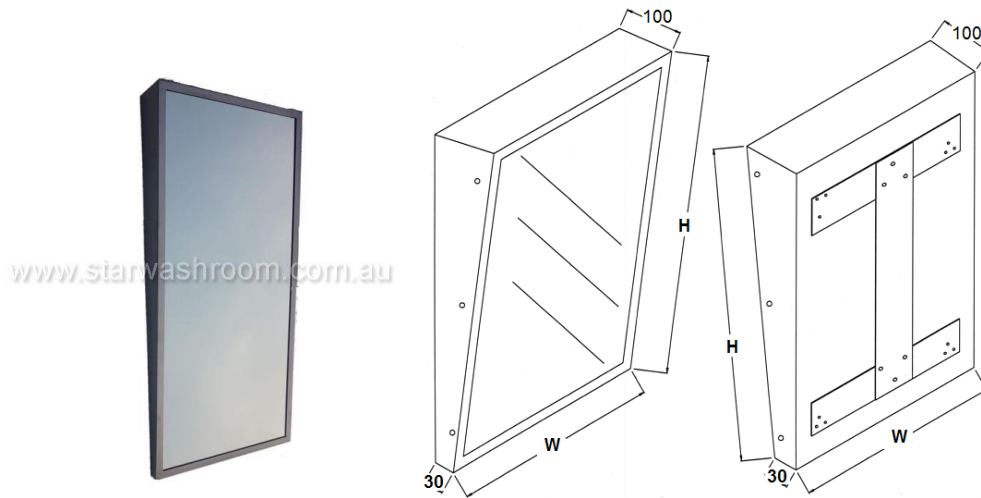


# TECHNICAL DATA FIXED TILT MIRROR

MODEL S-800



## Tilt Mirror (Disabled)

Sizes Available: (WH) 450mm x 600mm, 450mm x 950mm and 600mm x 950mm

Material: Type 304 stainless steel with a satin finish

Custom sizes can be made to order

### Material:

The frame is fabricated from type 304 - 1.2mm stainless steel with welded corners which is then ground and polished smooth to a satin finish

The back is fabricated from 0.9mm galvanized steel and secured to the frame with pop rivets

The wall hanger is fabricated from 1.2mm galvanized steel

The mirror is 6mm first quality float glass triple silver-plated with an electro-copper plated layer and thermosetting infrared cured paint with a vinyl backing

### Installation:

Secure the mounting bracket to wall with screws using the holes provided

Position the mirror over mounting bracket to engage the hanger tabs

Slide the mirror down and lock it into position



Phone: (02) 95344031

Fax: (02) 95841030

[www.starwashroom.com.au](http://www.starwashroom.com.au)

Email: [info@starwashroom.com.au](mailto:info@starwashroom.com.au)

ABN: 78 146 670 493 | ACN: 146 670 493

Unit 2 , 41-45 Lorraine St , Peakhurst NSW 2210

P O Box 2210 , Peakhurst NSW 2210