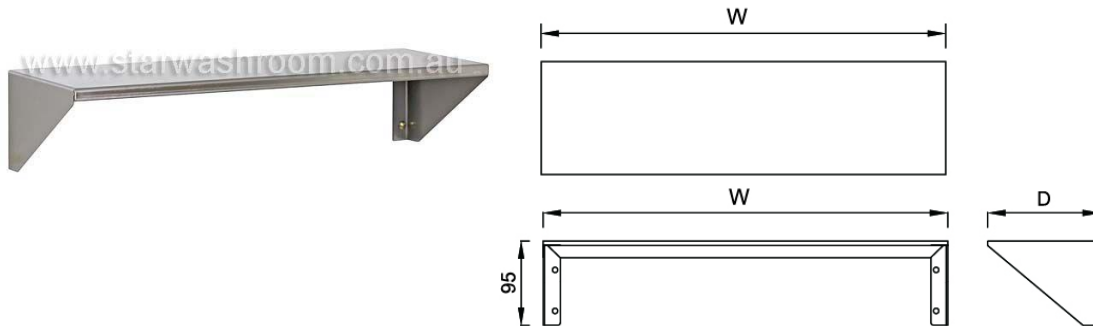


TECHNICAL DATA STAINLESS STEEL SHELF

MODELS S-8125/S-8150/S-8200



Size:

S-8125 Shelf is 125mm deep

S-8150 Shelf is 150mm deep

S-8200 Shelf is 200mm deep

Available in widths - 300mm, 400mm, 450mm and 600mm
Custom sizes can be made to order

Material:

The shelf is fabricated from type 304 - 1.2mm stainless steel with a satin finish

Installation:

Secures to the wall with screws using the holes provided



Phone: (02) 95344031

Fax: (02) 95841030

www.starwashroom.com.au

Email: info@starwashroom.com.au

ABN: 78 146 670 493 | ACN: 146 670 493

Unit 2 , 41-45 Lorraine St , Peakhurst NSW 2210
P O Box 2210 , Peakhurst NSW 2210