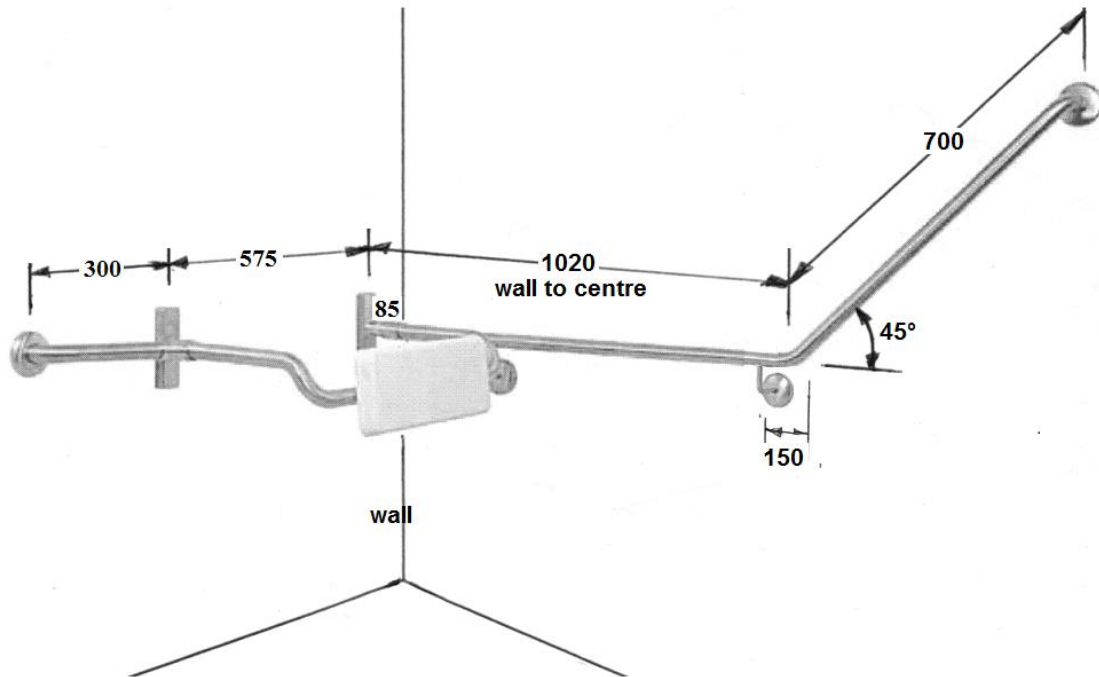


**TECHNICAL DATA**  
**BACKREST WITH TWO WALL GRAB RAIL**  
**STAINLESS STEEL**

**MODEL S32-032-45°**  
**S32-033-45°**



**S32-032-45°** (As per photograph)  
**S32-033-45°** Opposite hand

**Material:** 32mm Type 304 stainless steel with a satin finish

**Construction:**

Rail- fabricated of type 304 - 1.2mm stainless steel  
Back rest flange is fabricated from type 304 heavy cast stainless steel with 3 fixing holes  
Grab rail flange is fabricated of type 304 – 3.0mm stainless steel with 3 fixing holes  
Flange cover is fabricated from type 304 - 0.7mm stainless steel  
The flange is fully welded to the rail and the cover snaps onto the flange  
Back rest cushion is fabricated from 40mm white polyurethane

**Installation:**

Secure to the wall with mounting screws using the holes provided



Phone: (02) 95344031

Fax: (02) 95841030

[www.starwashroom.com.au](http://www.starwashroom.com.au)

Email: [info@starwashroom.com.au](mailto:info@starwashroom.com.au)

ABN: 78 146 670 493 | ACN: 146 670 493

Unit 2 , 41-45 Lorraine St , Peakhurst NSW 2210  
P O Box 2210 , Peakhurst NSW 2210