



SPECIFICATION

Bookshelf with four (4) Security Safety Clothes Hooks for surface mounting shall be fabricated of alloy 18-8 stainless steel, type 304. Back plate and bookshelf shall be 14 gauge. Clothes hooks shall be solid bar 3/8" (10mm) dia. Of one-piece construction with 1" (25mm) dia. Swivel trip-ball. Safety hook shall snap down when load exceeds limit. Trip-ball socket housing shall prevent hook from being set in vertical-up position. All exposed surfaces shall be No 4 satin finish. All seams shall be welded and ground smooth. The unit shall be provided with six (6) clear mounting holes that shall accept 1/4"-20x2" long pin-Torx round head machine screws (supplied).


INSTALLATION

Surface mount unit on finished wall into anchors (by others) with pin-Torx machine screws (supplied) through mounting holes provided.

OPERATION

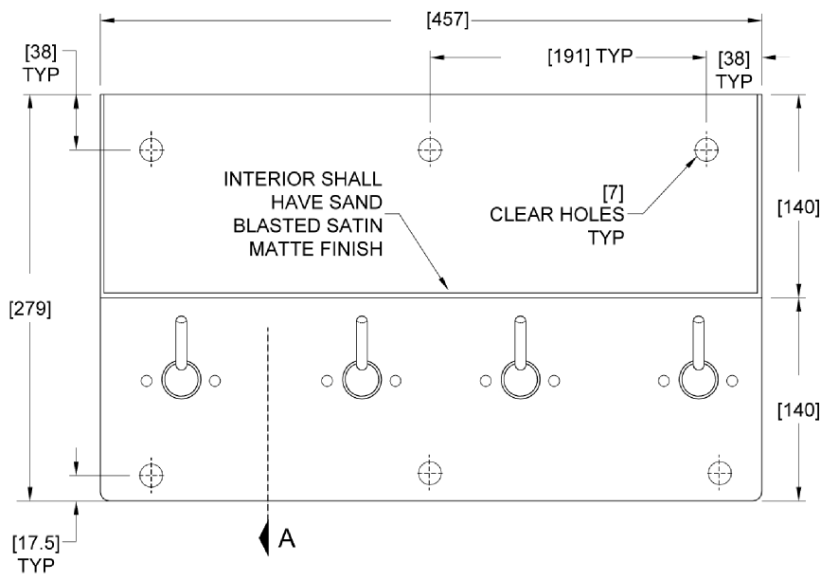
An 18" W x 8" D (457mm x 203mm) bookshelf is provided with triangular side walls to function as bookends. Clothes hooks are tensioned to release down when overloaded.

Security Clothes/Towel Hook Strip shall be Model No 128-1 as supplied by JD MacDonald.

 All JD MacDonald accessible compliant products when installed must be in accordance with AS1428 to ensure the specified product is complying with all washroom specification requirements

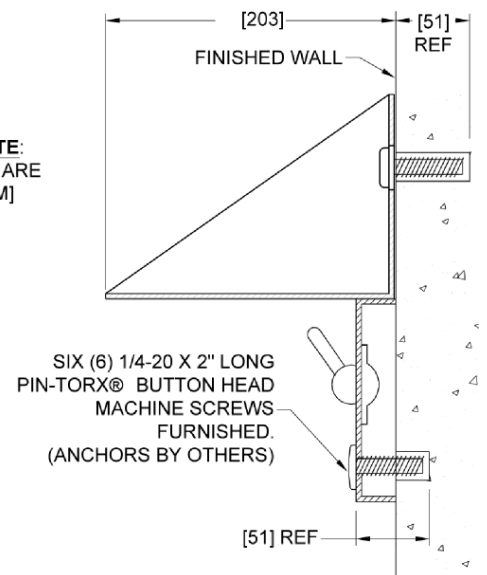
WARRANTY

JD MacDonald Security Clothes/Towel Hook Strips come with (Voluntary Product Warranty), the terms of which can be found at www.jdmacdonald.com.au/about



ELEVATION

NOTE:
DIMS ARE
IN [MM]



A-SECTION VIEW