



SPECIFICATION

Royal™ Collection Surface Mounted Paper Towel Dispenser shall hold and dispense 525 standard multi-fold or 400 standard C fold paper towels and shall be fabricated 22 gauge type 304 stainless steel alloy 18-8. Cabinet full door shall be drawn seamless and shall have bowed front face and gently radiused edges to provide added strength and complimentary appearance for modern washroom aesthetics. All exposed surfaces shall have a satin finish and shall be protected during shipment with PVC film easily removable after installation. Towel dispensing slot shall have a fully hemmed-in rolled edge for snag-free dispensing and user safety. Dispenser door shall be attached to the bottom of unit with a full-width 5/32" diameter (Ø4) heavy duty stainless steel multi-staked piano hinge and shall be held closed with a recessed tumbler lock keyed alike to other JD MacDonald washroom equipment. Structural assembly of body and door components shall be of welded construction. Unit shall be provided with refill viewer slots on each side. Wall below unit shall be protected against accidental door drop by self-limiting body and hinge construction. Dispenser shall enable simplified installation by hanging on pre-installed screw pattern (by others) on concealed keyhole slotted mounting holes.

INSTALLATION

Unit is surfaced mounted on wall or partition using four No. 10 self tapping screws (supplied by others). Four mounting holes through back are "keyhole" slots for ease of installation on pre-installed screws. Centre top mounting hole is horizontal slot for ease of adjustment and vandal resistant locking. For mounting height standards refer to current Building Code of Australia for able bodied and/or disabled use.

OPERATION

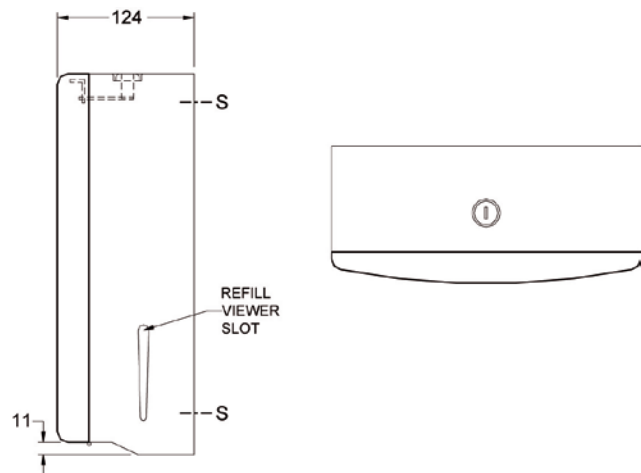
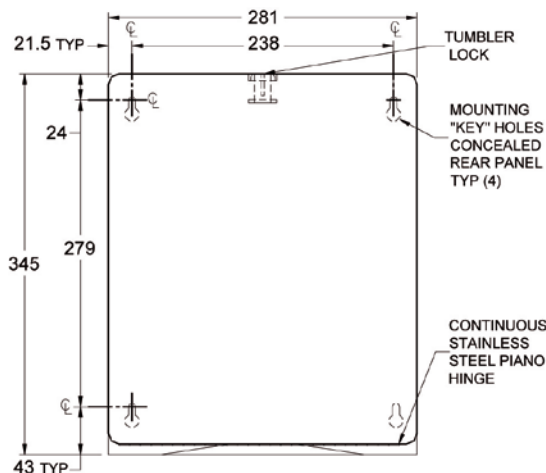
Towels are self-feeding until supply is depleted. Unit may be refilled with a partial load in-place and will continue to feed properly. Low level of towel supply is indicated from 25% capacity empty.

WARRANTY

JD MacDonald Paper Towel Dispensers come with (Voluntary Product Warranty), the terms of which can be found at www.jdmacdonald.com.au/about

Surface Mounted Paper Towel Dispenser shall be Model No. 20210 as supplied by JD MacDonald.

⦿ All JD MacDonald disabled compliant products when installed must be in accordance with AS1428 to ensure the specified product is complying with all washroom specification requirements.



JD MacDonald reserves the right to, and does from time to time, make changes and improvements in design and dimensions. The photographs and line drawings of the products in this flyer are representational only. All dimensions are in millimetres.