



www.rakbathware.com.au 1300 661 727

Evolution II Corner Back To Wall Back Inlet

FEATURES

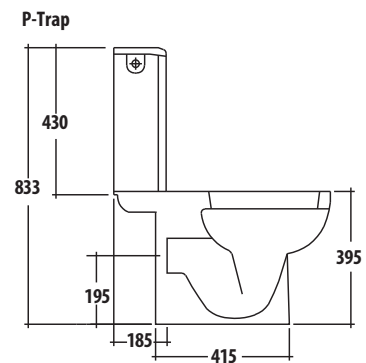
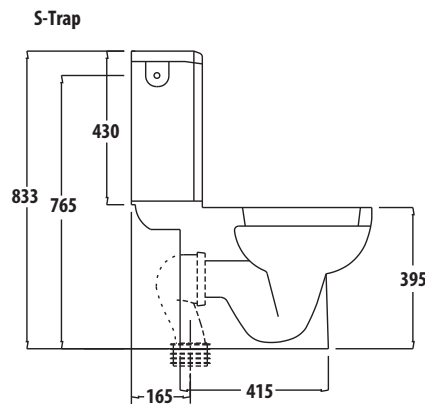
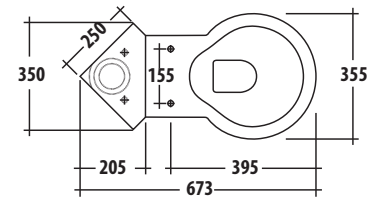
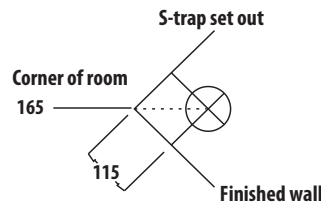
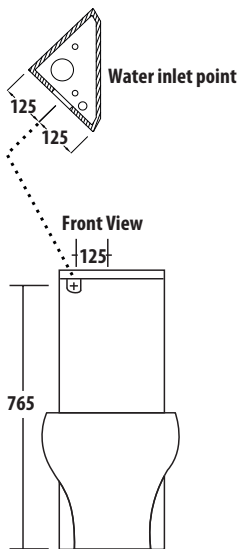
- P-Trap
- Boxed rim pan
- Concealed floor fixings
- Cistern with Geberit valves
- Urea soft close quick release seat
- Back inlet left connection
- White only
- WELS 3 star rated, 6/3L

WARRANTY

- Vitreous China: 10 year
- Internal valves: 2 year
- Seat: 1 year

AVAILABLE OPTIONS

- S-Trap vario bend 165mm connector



Installation Note:

Rear inlet requires 15mm female BP flush with the finished wall

* Tolerance: $\pm 3\%$ on dimensions below 200mm & $\pm 5\%$ for dimensions above 200mm
 All Measurements relate to finish floor or finish wall measurements.
 All information shown are correct at time of printing. 16/12/2014.
 RAK Bathware recommends, that prior to installation all technical specifications be confirmed with current tech specs on our website www.rakbathware.com.au

