



Curvalinear™ Basin, Wall Mounted

Models RBA8889-186, RBA8889-182, RBA8889-181



Materials & Features

Constructed of heavy gauge satin stainless steel. Seamless D shape bowl is deep drawn into the countertop. Trap cover is furnished with security screws. Also available in #316 Marine grade Stainless Steel or coloured EnviroGlaze® (e.g. white) finish on request.

Technical Detail

| | |
|-------------|---|
| Basin: | 1.5mm, 304 Stainless Steel |
| Trap Cover: | 2.0mm, 304 Stainless Steel |
| Tap Hole: | 35mm |
| Trap: | 40mm Iplex low level 'P' (by others) |
| Tap: | 6 Star WELS, Satin Stainless Steel Timed Flow |
| Waste: | 40mm BSP (supplied) |
| Compliance: | AS1428.1-2009 AS/NZS 1730-1996 |

Available Models

| | |
|--------------------|---|
| RBA8889-186 | Curvalinear™ Single Basin with Trap Cover & Tap |
| RBA8889-182 | Curvalinear™ Single Basin with Trap Cover |
| RBA8889-181 | Curvalinear™ Single Basin |

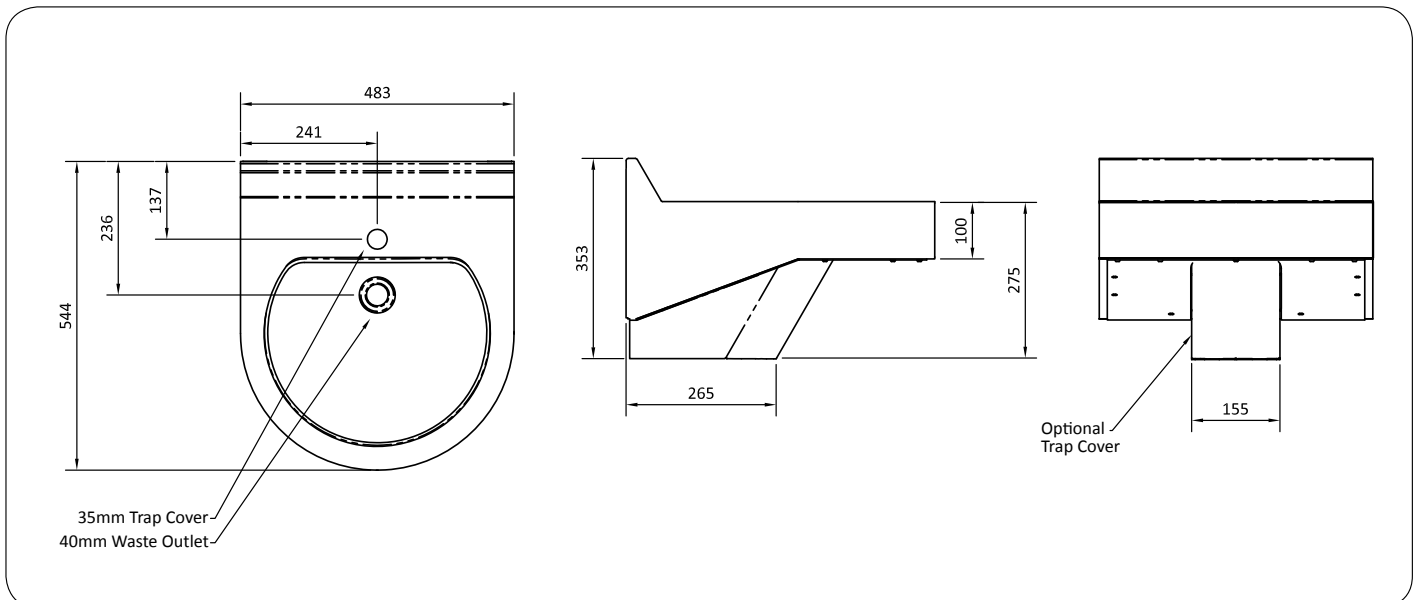
Related Products

| | |
|--------------------|--|
| RBA4150-101 | Accessible Compliant Backrest |
| RBA8847-428 | Accessible Compliant WC |
| RBA8900-429 | Accessible Compliant Drinking Fountain |

Installation

Ensure wall construction is suitable to support the unit. Mount unit to wall with S-clip brackets provided. Fixings by others. Basin rim is typically mounted 864mm above FFL. Refer AS1428.1-2009 for mounting requirements where basin is for accessible use. Refer installation instructions for location of fixing points, trap outlet location etc.

Important: Installation instructions and current rough-in details should be furnished with each fixture. Do not rough in without certified dimensions. Dimensions are subject to manufacturer's tolerance of +/-10mm.



As improvements in the design and performance of RBA products are continuous, specifications may be subject to change without notice. The illustrations and descriptions herein are applicable to production as of the date of this Technical Data Sheet. Revised 01/16 © 2016 by RBA Group TD/Model RBA8889-186/0116