



'Benefit' Self Closing Tap

Model RBA1010-Series



Materials & Features

Self-closing tap is designed for controlled commercial & institutional installations where ease of activation & self closing features are essential. Not suitable for vandal prone areas. Single connection, tap will deliver cold or pre mixed water, single temperature only. Tap is activated by depressing the looped lever, flow will cease when preset time is achieved. Tap cartridge is self-cleaning. Unique looped handle is designed to avoid the need for grasping to activate. Also eliminates potential for eye injury in the case of an accidental fall.

Technical Detail

Tap Body:	DZR Brass, Chrome plated
Inlet Connection:	15mm BSP (1/2"), Male
Flow Time:	4-10 seconds (non-adjustable)
Operating Pressure:	200 – 500 kPa
Supply:	Single temp (Max. 55°C)
Flow Rate:	5.5L / 8L per minute
Locknut:	Brass
Force to Activate:	5N @ 400 kPa

Available Models

RBA1010-600

6 Star [5.5Lpm] 'Benefit' Self Closing Tap, Polished Finish

RBA1010-400

4 Star [8.0Lpm] 'Benefit' Self Closing Tap, Polished Finish

Related Products

RBA1083-607

'Inox' Stainless Steel Self Closing Tap

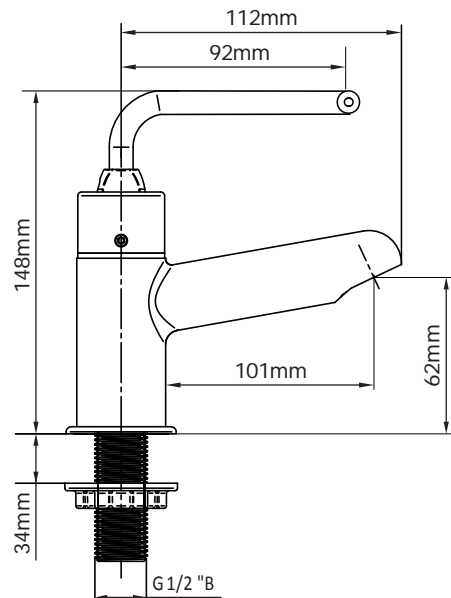
RBA8867-100

'Benefit' Accessible Stainless Steel Basin

RBA8889-182

'Curvalinear' Accessible Stainless Steel Basin

Important: Installation instructions and current rough-in details should be furnished with each fixture. Do not rough in without certified dimensions. Dimensions are subject to manufacturer's tolerance of +/-10mm.



As improvements in the design and performance of RBA products are continuous, specifications may be subject to change without notice. The illustrations and descriptions herein are applicable to production as of the date of this Technical Data Sheet. Revised 01/16 © 2016 by RBA Group TD/Model RBA1010-Series/0116