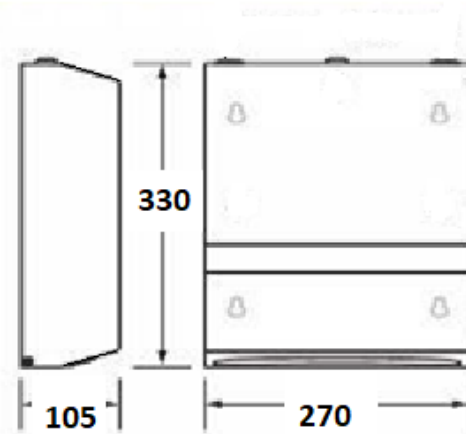


**TECHNICAL DATA
PAPER TOWEL DISPENSER
SURFACE MOUNTED ABS PLASTIC**

MODEL S-116



Paper Towel Dispenser

S-116

Size: (WHD) 270x 355x105mm

Material: ABS Plastic White

Construction:

Unit-ABS Plastic

Unit locked with push button lock and hinge on the bottom to the back.

Refill indicator slot on face of cabinet.

Capacity:

2 pack of Slim Line Interleaved fold paper towels

Installation:

Secure to wall with mounting screws at holes provided.

STAR WASHROOM ACCESSORIES

Unit 2,41-45 Lorraine St

Peakhurst NSW2210

AUSTRALIA

Phone-612 9534 4031

Email – info@starwashroom.com.au