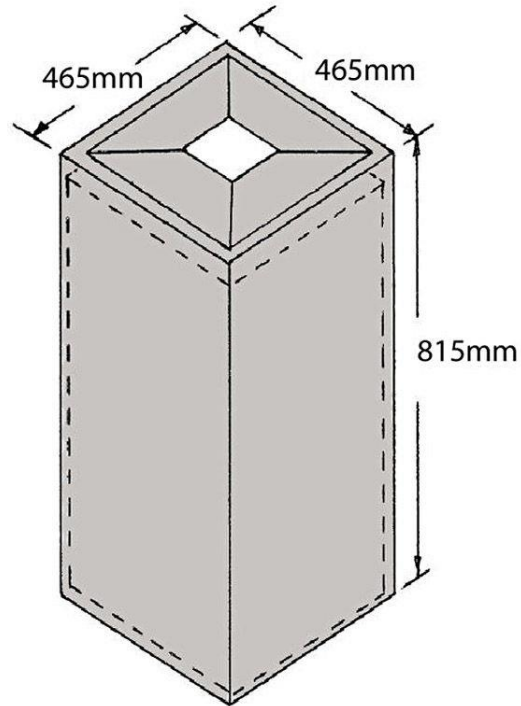


TECHNICAL DATA
WASTE RECEPTACLE FREE STANDING

MODEL S-157



Size: (WHD) 465mm x 815mm x 465mm

Material: Type 304 - 1.2mm stainless steel with a satin finish
Internal bin is leak proof stainless steel

Capacity: 130 litres

Installation:
Free standing



Phone: (02) 95344031

Fax: (02) 95841030

www.starwashroom.com.au

Email: info@starwashroom.com.au

ABN: 78 146 670 493 | ACN: 146 670 493

Unit 2 , 41-45 Lorraine St , Peakhurst NSW 2210
P O Box 2210 , Peakhurst NSW 2210