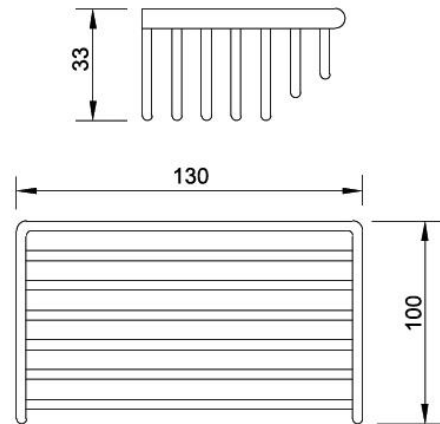


**TECHNICAL DATA
BASKET SOAP HOLDER
SURFACE MOUNTED**

MODEL S-440



Size:
(WHD) 130mm x 33mm x 100mm

Construction;
Fabricated from chrome plated brass

Installation
Secure Basket with mounting screws using the holes provided



Phone: (02) 95344031
Fax: (02) 95841030
www.starwashroom.com.au
Email: info@starwashroom.com.au
ABN: 78 146 670 493 | ACN: 146 670 493
Unit 2 , 41-45 Lorraine St , Peakhurst NSW 2210
P O Box 2210 , Peakhurst NSW 2210