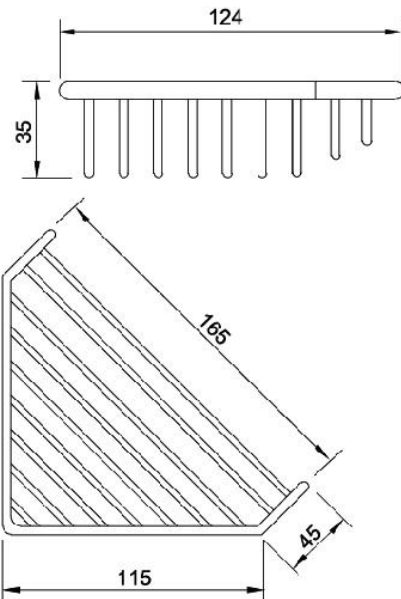


TECHNICAL DATA
BASKET SOAP HOLDER
CORNER SURFACE MOUNTED

MODEL S-445



Size:
(WHD) 165mm x 35mm x 124mm

Construction;
Fabricated from chrome plated brass

Installation
Secure the basket with mounting screws using the holes provided



Phone: (02) 95344031
Fax: (02) 95841030
www.starwashroom.com.au
Email: info@starwashroom.com.au
ABN: 78 146 670 493 | ACN: 146 670 493
Unit 2 , 41-45 Lorraine St , Peakhurst NSW 2210
P O Box 2210 , Peakhurst NSW 2210