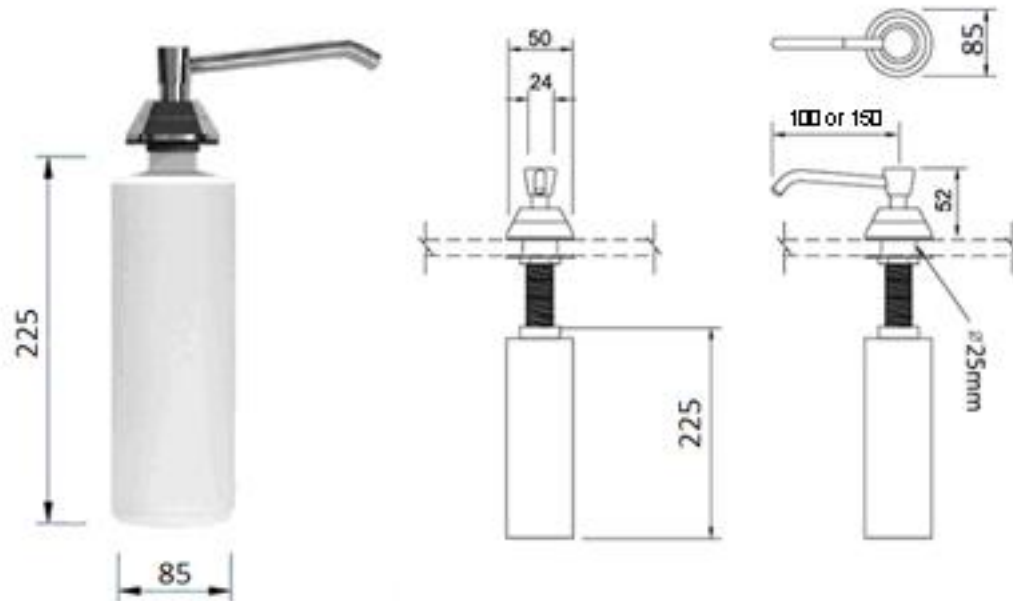


**TECHNICAL DATA  
BENCH MOUNTED  
LIQUID SOAP DISPENSER**

**MODEL S-454-100mm spout  
MODEL S-456-150mm spout**



**S-454** with 100mm spout  
**S-456** with 150mm spout

**Size:**  
(WHD) 85mm x 280mm x 145mm (or 195mm)

**Construction:**  
**Spout** - 100mm / 150mm long polished stainless steel  
**Collar** - Chrome plated brass  
**Bottle** - Plastic  
**Capacity** - 1000 ml (1 litre)

**Operation:**  
The push-in valve dispenses a measured amount of liquid soap  
Locked filler top opens with the special key provided

**Installation**  
Bench mounted  
Slide the dispenser into place and secure the locking screw through the filler hole



Phone: (02) 95344031  
Fax: (02) 95841030  
www.starwashroom.com.au  
Email: info@starwashroom.com.au  
ABN: 78 146 670 493 | ACN: 146 670 493  
Unit 2 , 41-45 Lorraine St , Peakhurst NSW 2210  
P O Box 2210 , Peakhurst NSW 2210