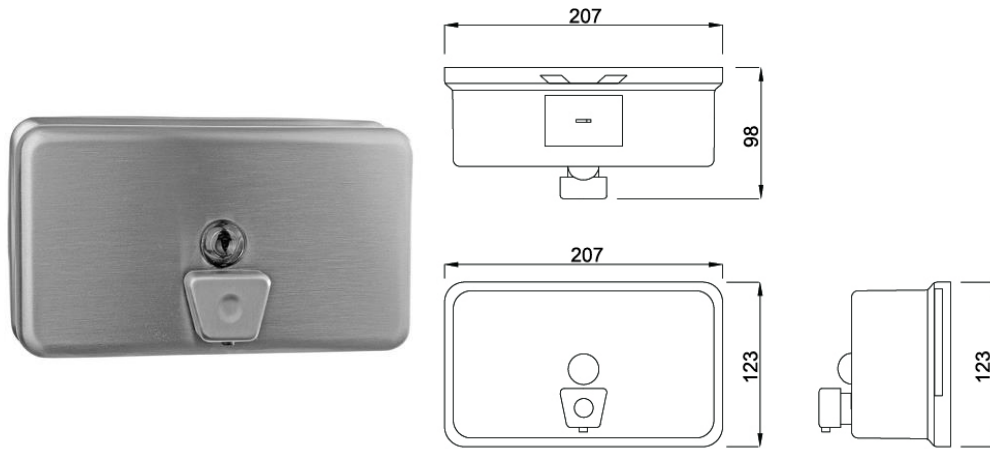


**TECHNICAL DATA  
HORIZONTAL SOAP DISPENSER  
SURFACE MOUNTED**

**MODEL S-472-1**



**Size:**  
(WHD) 207mm x 123mm x 98mm (including the valve)

**Construction:**  
**Housing** - Type 304 1.0mm stainless steel with a satin finish  
**Wall plate** - Type 304 1.2mm stainless steel with a satin finish  
**Soap Valve** – stainless steel housing with an ABS plastic mechanism

**Capacity:** 1200 ml

**Operation:**  
The push-in valve dispenses a measured amount of liquid soap  
Locked filler top opens with the special key provided  
Sight gauge indicates low soap level

**Installation**  
Secure the separate mounting bracket to the wall  
Slide the dispenser into place and secure the locking screw through the filler hole  
Ensure the locking screw inside the dispenser has the black “O” ring and is tight to avoid leakage



Phone: (02) 95344031  
Fax: (02) 95841030  
[www.starwashroom.com.au](http://www.starwashroom.com.au)  
Email: [info@starwashroom.com.au](mailto:info@starwashroom.com.au)  
ABN: 78 146 670 493 | ACN: 146 670 493  
Unit 2 , 41-45 Lorraine St , Peakhurst NSW 2210  
P O Box 2210 , Peakhurst NSW 2210