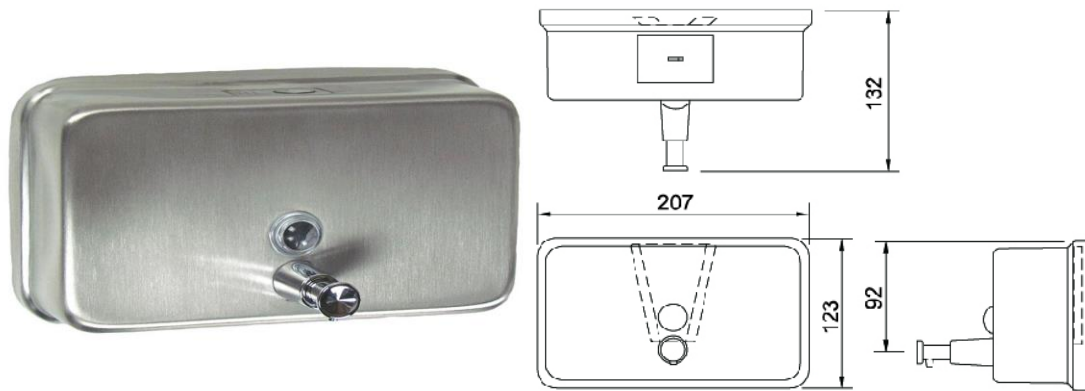


**TECHNICAL DATA
HORIZONTAL SOAP DISPENSER
SURFACE MOUNTED**

MODEL S-472



Size:
(WHD) 207mm x 123mm x 132mm (including the valve)

Construction:
Housing - Type 304 1.0mm stainless steel with a satin finish
Wall plate - Type 304 1.2mm stainless steel with a satin finish
Soap Valve – chrome plated brass housing with an ABS plastic mechanism

Capacity: 1200 ml

Operation:
The push-in valve dispenses a measured amount of liquid soap
Locked filler top opens with the special key provided
Sight gauge indicates low soap level

Installation
Secure the separate mounting bracket to the wall
Slide the dispenser into place and secure the locking screw through the filler hole
Ensure the locking screw inside the dispenser has the black “O” ring and is tight to avoid leakage



Phone: (02) 95344031
Fax: (02) 95841030
www.starwashroom.com.au
Email: info@starwashroom.com.au
ABN: 78 146 670 493 | ACN: 146 670 493
Unit 2 , 41-45 Lorraine St , Peakhurst NSW 2210
P O Box 2210 , Peakhurst NSW 2210