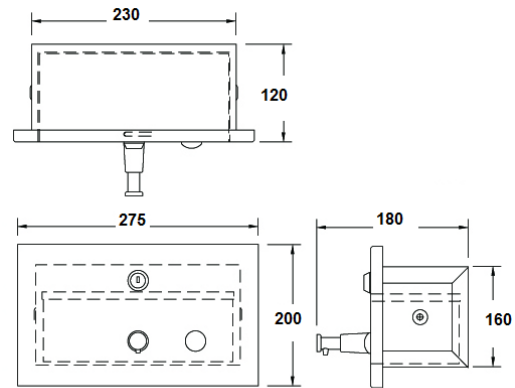


TECHNICAL DATA
Liquid Soap Dispenser 2 Litre
Recessed Mounted

MODEL S-481



Size:
(WHD) 275mm x 200mm x 180mm (including the valve)
Wall Opening:
(WHD) 230mm x 180mm x 120mm

Construction:
Housing - Type 304 0.7mm stainless steel with a satin finish
Face Plate - Type 304 1.2mm stainless steel with a satin finish
Soap Valve – chrome plated brass housing with an ABS plastic mechanism
The face plate is hinged to the body and locks with a tumbler lock

Capacity: 2000 ml

Operation:
The push-in valve dispenses a measured amount of liquid soap
Locked filler top opens with the special key provided
Sight gauge indicates low soap level

Installation
Secure the unit to the wall using the screws provided



Phone: (02) 95344031
Fax: (02) 95841030
www.starwashroom.com.au
Email: info@starwashroom.com.au
ABN: 78 146 670 493 | ACN: 146 670 493
Unit 2 , 41-45 Lorraine St , Peakhurst NSW 2210
P O Box 2210 , Peakhurst NSW 2210