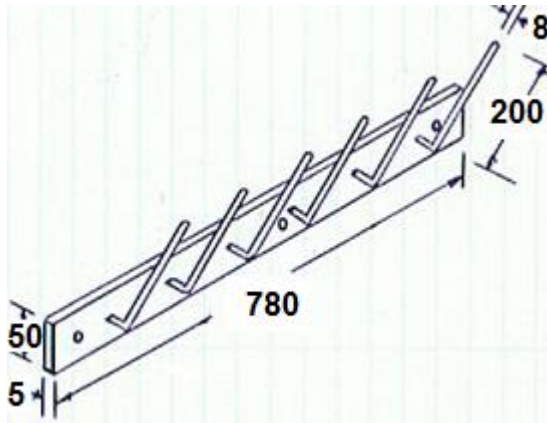


TECHNICAL DATA SPECIMEN BOTTLE RACK

MODEL S-536-6



Size:
(WHD) 800mm x 200mm x 142mm

Material:
The backing plate is fabricated from 5mm thick type 304 stainless steel with a satin finish
The hooks are fabricated from 8mm round stainless steel bar
The standard unit holds six bottles
Custom sizes can be made to order

Installation:
Secures to the wall with mounting screws using the holes provided



Phone: (02) 95344031
Fax: (02) 95841030
www.starwashroom.com.au
Email: info@starwashroom.com.au
ABN: 78 146 670 493 | ACN: 146 670 493
Unit 2 , 41-45 Lorraine St , Peakhurst NSW 2210
P O Box 2210 , Peakhurst NSW 2210