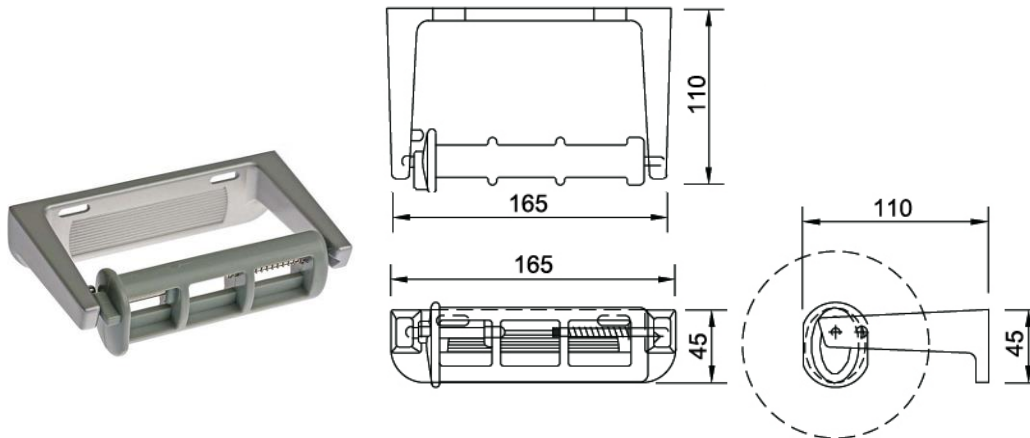


# TECHNICAL DATA TOILET TISSUE DISPENSER

MODEL S-610



**Size:**

(WHD) 165mm x 45mm x 110mm

**Construction:**

Material: Cast aluminium with a silver–gray painted finish  
Theft resistant ABS plastic spindle  
No waste rocking action spindle

**Capacity:**

One standard core toilet tissue roll

**Operation:**

Remove tissue roll core to access special locking latch for reloading a new roll

**Installation:**

Secures to the wall with mounting screws using the holes provided



Phone: (02) 95344031

Fax: (02) 95841030

[www.starwashroom.com.au](http://www.starwashroom.com.au)

Email: [info@starwashroom.com.au](mailto:info@starwashroom.com.au)

ABN: 78 146 670 493 | ACN: 146 670 493

Unit 2 , 41-45 Lorraine St , Peakhurst NSW 2210

P O Box 2210 , Peakhurst NSW 2210