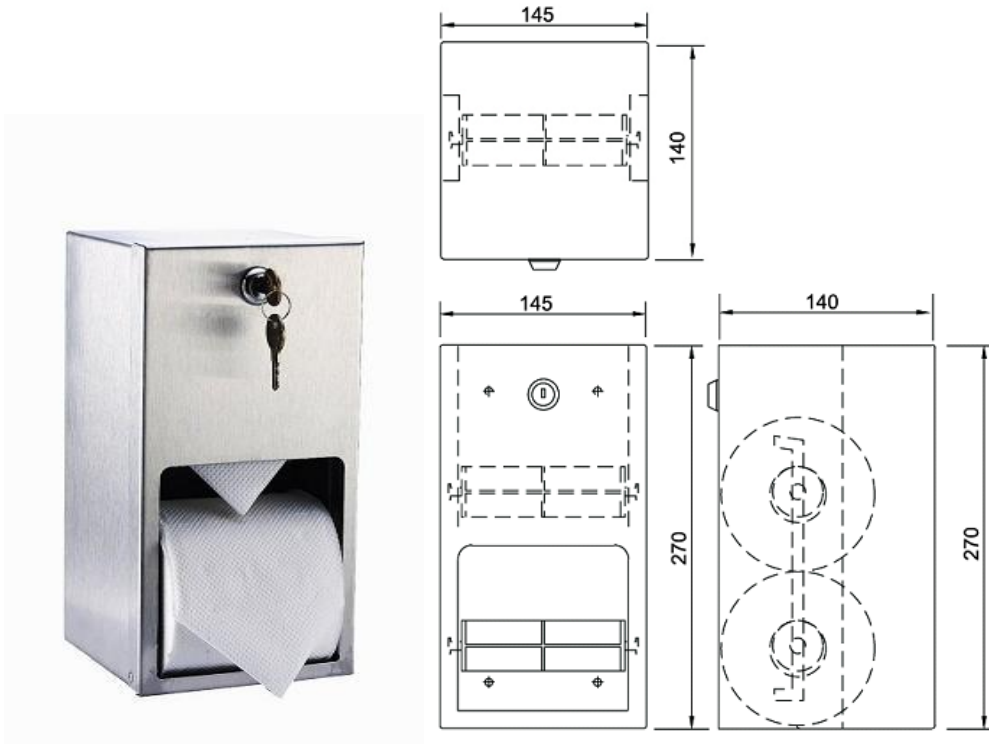


TECHNICAL DATA
DUAL ROLL TOILET TISSUE DISPENSER
SURFACE MOUNTED

MODEL S-625



Size:
(WHD) 152mm x 305mm x 165mm

Material:
The lockable unit is fabricated from type 304 stainless steel with a satin finish

Operation:
The unit holds two rolls standard core toilet tissue, one above the other.
When first roll is used a fresh roll automatically drops down for into position
The unique retaining mechanism prevents use of the spare roll until first roll is completely used

Capacity:
2 rolls of standard core toilet tissue

Installation :
Secures to the wall with mounting screws using the holes provided



Phone: (02) 95344031
Fax: (02) 95841030
www.starwashroom.com.au
Email: info@starwashroom.com.au
ABN: 78 146 670 493 | ACN: 146 670 493
Unit 2 , 41-45 Lorraine St , Peakhurst NSW 2210
P O Box 2210 , Peakhurst NSW 2210