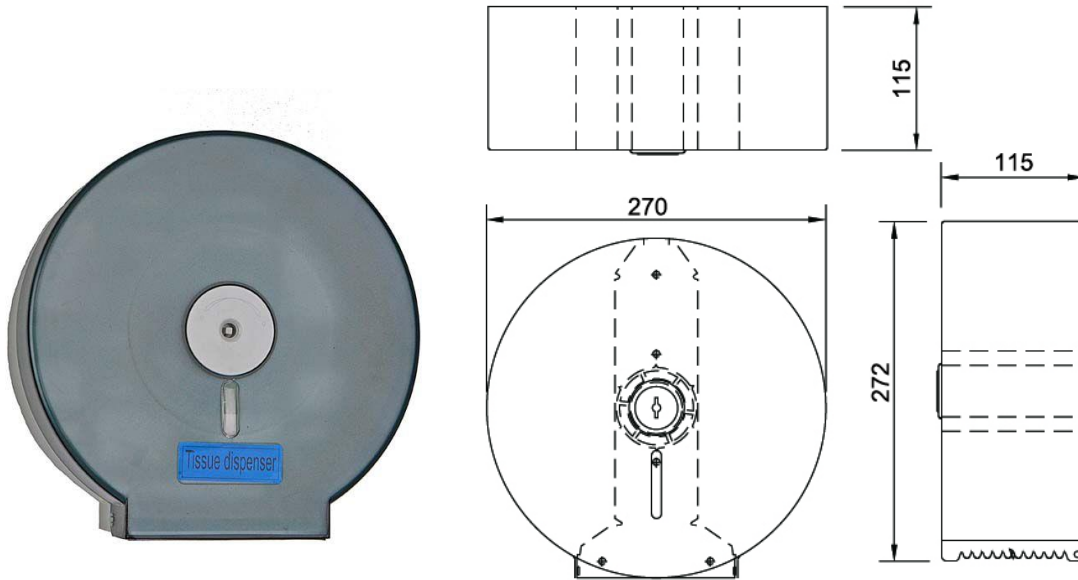


**TECHNICAL DATA**  
**JUMBO ROLL TOILET TISSUE DISPENSER**  
**SURFACE MOUNTED**

**MODEL S-629**



**Size:**  
WHD) 270mm x 272mm x 115mm

**Material:**  
ABS Plastic with a smoke gray finish

**Capacity:**  
One jumbo roll toilet tissue

**Installation :**  
Secures to the wall with mounting screws using the holes provided



Phone: (02) 95344031  
Fax: (02) 95841030  
[www.starwashroom.com.au](http://www.starwashroom.com.au)  
Email: [info@starwashroom.com.au](mailto:info@starwashroom.com.au)  
ABN: 78 146 670 493 | ACN: 146 670 493  
Unit 2 , 41-45 Lorraine St , Peakhurst NSW 2210  
P O Box 2210 , Peakhurst NSW 2210