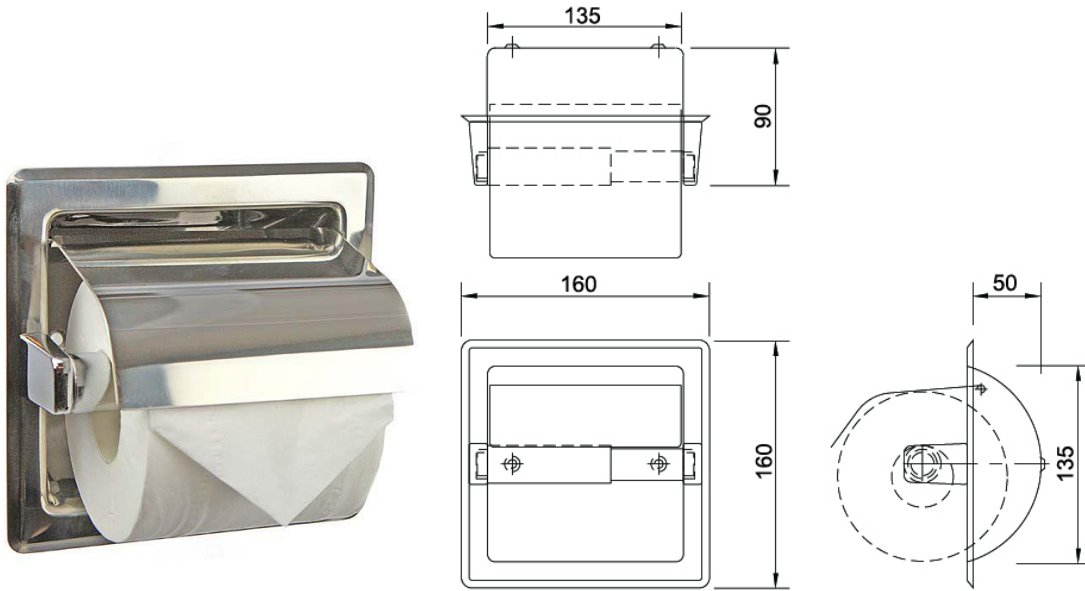


TECHNICAL DATA
SINGLE ROLL TOILET TISSUE HOLDER
RECESS MOUNTED WITH HOOD

MODEL S-631



Size:
(WHD) 160mm x 160mm x 90mm
Required wall opening 140mm x 140mm x 55mm

Material:
Fabricated from type 304 - 0.7mm stainless steel with a polished finish
Spring loaded chrome roller

Optional:
S-623 As above, double toilet roll holder
S-6316 As above with a satin finish

Capacity:
Single rolls of standard core toilet tissue

Installation:
Secures to the wall with mounting screws using the holes provided



Phone: (02) 95344031
Fax: (02) 95841030
www.starwashroom.com.au
Email: info@starwashroom.com.au
ABN: 78 146 670 493 | ACN: 146 670 493
Unit 2 , 41-45 Lorraine St , Peakhurst NSW 2210
P O Box 2210 , Peakhurst NSW 2210