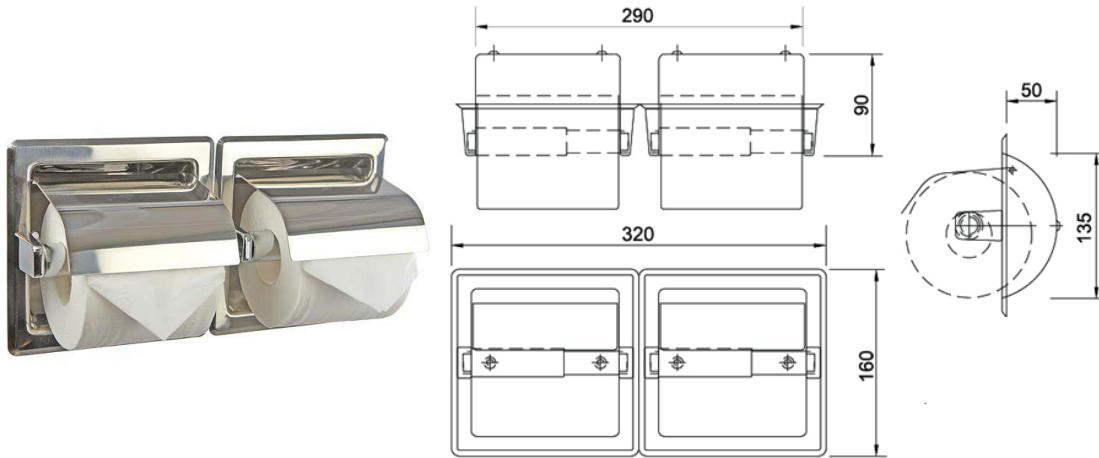


**TECHNICAL DATA**  
**DOUBLE ROLL TOILET TISSUE HOLDER**  
**RECESS MOUNTED WITH HOOD**

**MODEL S-632**



**Size:**

(WHD) 320mm x 160mm x 90mm  
Required wall opening 295mm x 140mm x 55mm

**Material:**

Fabricated from type 304 - 0.7mm stainless steel with a polished finish  
Spring loaded chrome roller

**Optional:**

**S-631** As above, single toilet roll holder  
**S-6326** As above with a satin finish

**Capacity:**

Single rolls of standard core toilet tissue

**Installation:**

Secures to the wall with mounting screws using the holes provided



Phone: (02) 95344031

Fax: (02) 95841030

[www.starwashroom.com.au](http://www.starwashroom.com.au)

Email: [info@starwashroom.com.au](mailto:info@starwashroom.com.au)

ABN: 78 146 670 493 | ACN: 146 670 493

Unit 2 , 41-45 Lorraine St , Peakhurst NSW 2210  
P O Box 2210 , Peakhurst NSW 2210