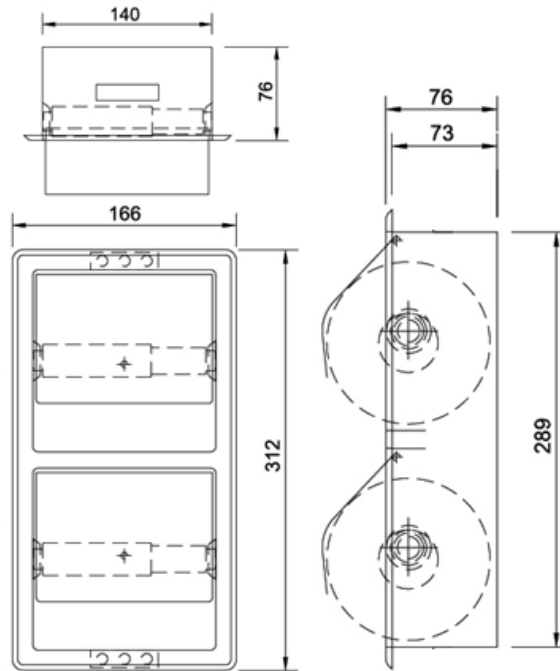


**TECHNICAL DATA**  
**DOUBLE ROLL TOILET TISSUE HOLDER**  
**RECESSED VERTICAL MOUNTED WITH HOOD**

**MODEL S-634**



**Size:**  
(WHD) 166mm x 312mm x 76mm  
Required wall opening 143mm x 293mm x 75mm

**Material:**  
Fabricated from type 304 - 0.7mm stainless steel with a satin finish  
Spring loaded chrome roller

**Optional:**  
**S-6334** As above, surface mounted

**Capacity:**  
Two rolls of standard core toilet tissue

**Installation:**  
Secures to the wall with mounting screws using the holes provided



Phone: (02) 95344031  
Fax: (02) 95841030  
[www.starwashroom.com.au](http://www.starwashroom.com.au)  
Email: [info@starwashroom.com.au](mailto:info@starwashroom.com.au)  
ABN: 78 146 670 493 | ACN: 146 670 493  
Unit 2 , 41-45 Lorraine St , Peakhurst NSW 2210  
P O Box 2210 , Peakhurst NSW 2210