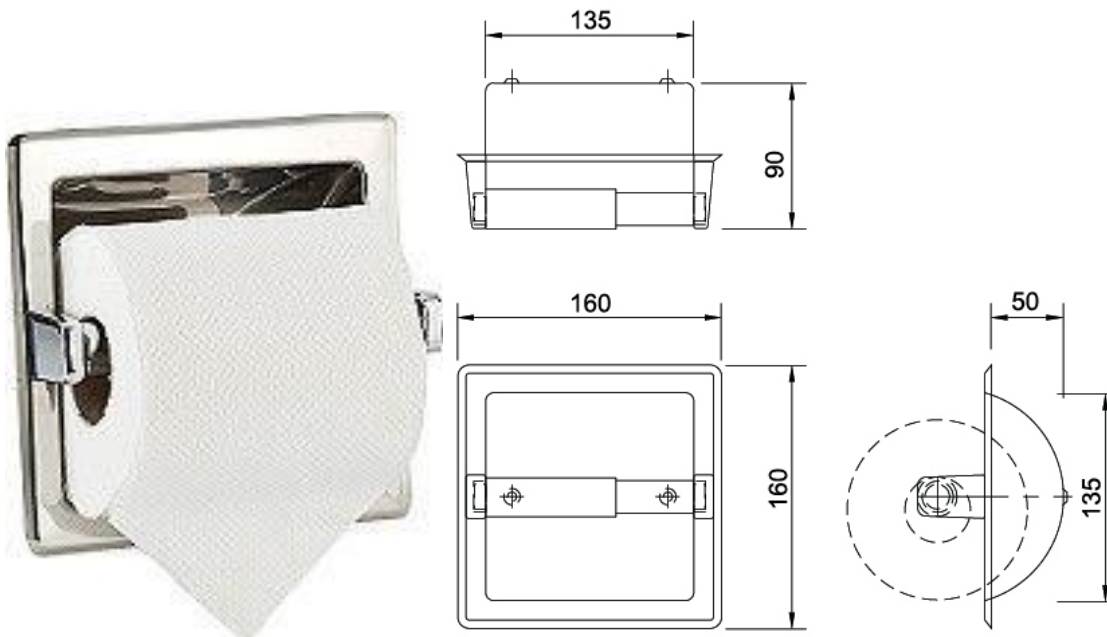


TECHNICAL DATA
SINGLE ROLL TOILET TISSUE HOLDER
RECESS MOUNTED

MODEL S-641



Size:

(WHD) 160mm x 160mm x 90mm
Required wall opening 140mm x 140mm x 55mm

Material:

Fabricated from type 304 - 0.7mm stainless steel with a polished finish
Spring loaded chrome roller

Optional:

S-642 As above, double toilet roll holder
S-6416 As above with a satin finish

Capacity:

Single roll of standard core toilet tissue

Installation:

Secures to the wall with mounting screws using the holes provided



Phone: (02) 95344031

Fax: (02) 95841030

www.starwashroom.com.au

Email: info@starwashroom.com.au

ABN: 78 146 670 493 | ACN: 146 670 493

Unit 2 , 41-45 Lorraine St , Peakhurst NSW 2210
P O Box 2210 , Peakhurst NSW 2210