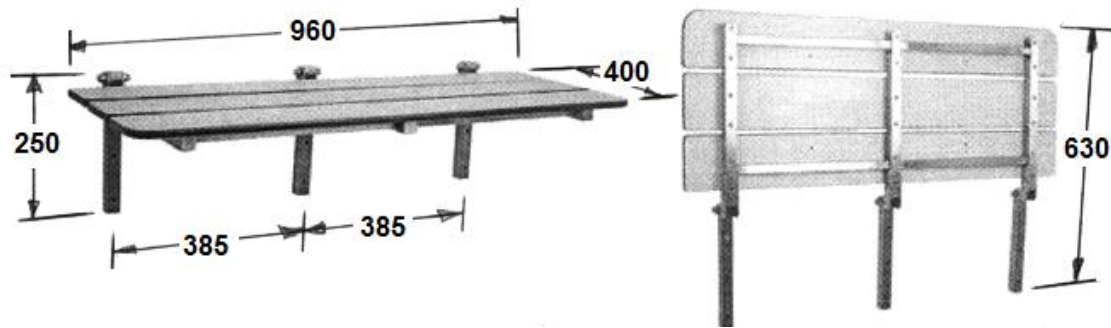


# TECHNICAL DATA FOLDING SHOWER SEAT

MODEL S-729-960



**Size:**  
(WHD) 960mm x 250mm x 400mm

**Material:**  
The frame is fabricated from type 304 - 25mm x 1.2mm stainless steel square tube with a satin finish  
The wall bracket is fabricated from type 304 - 25mm x 1.6mm stainless steel square tube with a satin finish  
The seat consist of three 120mm wide x 12mm thick white laminated waterproof slats

**Operation:**  
The hinged seat folds up when not in use

**Installation:**  
Secures to the wall with mounting screws using the holes provided



Phone: (02) 95344031  
Fax: (02) 95841030  
www.starwashroom.com.au  
Email: info@starwashroom.com.au  
ABN: 78 146 670 493 | ACN: 146 670 493  
Unit 2 , 41-45 Lorraine St , Peakhurst NSW 2210  
P O Box 2210 , Peakhurst NSW 2210