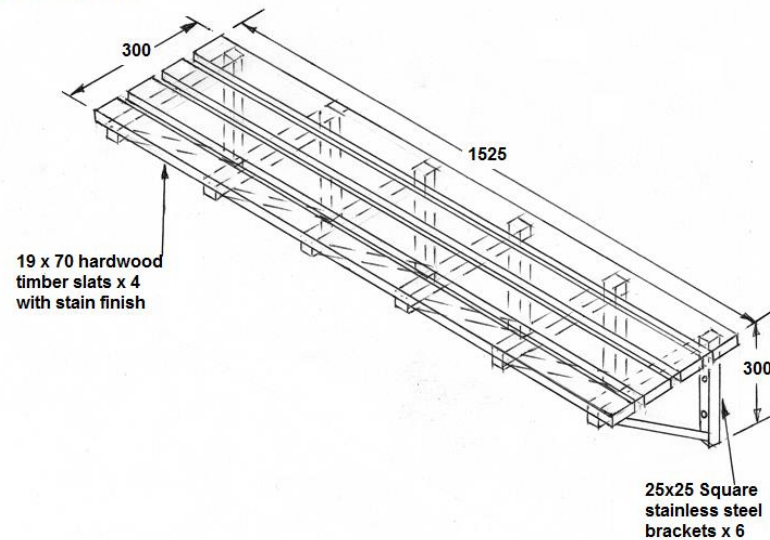


TECHNICAL DATA SHOWER ROOM SEAT

MODEL S-730



Shower room wall mounted seat



Size:
(WD) 1525mm x 300mm
Custom sizes made to order

Construction:
The wall brackets are fabricated from 25mm square type 304 -1.2mm stainless steel tube
The seat consists of hardwood slats, 19mm thick x 70mm wide sanded smooth with a stain finish

Installation:
Secures to the wall with mounting screws using the holes provided



Phone: (02) 95344031
Fax: (02) 95841030
www.starwashroom.com.au
Email: info@starwashroom.com.au
ABN: 78 146 670 493 | ACN: 146 670 493
Unit 2 , 41-45 Lorraine St , Peakhurst NSW 2210
P O Box 2210 , Peakhurst NSW 2210