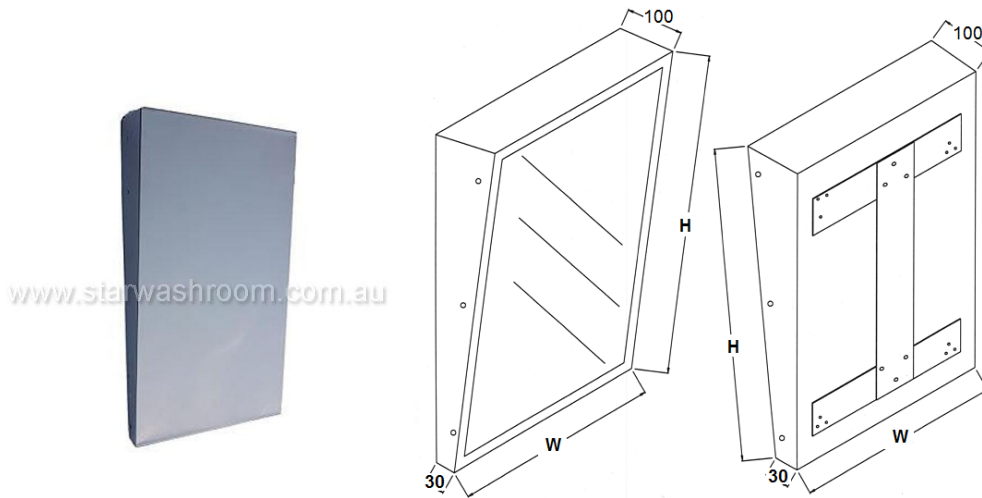


# TECHNICAL DATA

MODEL S-810BA

# UNBREAKABLE STAINLESS STEEL FIXED TILT MIRROR



**Size:** (WH)

500mm x 1000mm

**Material:**

Type 304 stainless steel with a bright-annealed finish

The mirror is fabricated from type 304 - 1.2mm stainless steel polished to a mirror finish

The back is fabricated from 0.9mm galvanized steel and secured to the frame with pop rivets

The wall hanger is fabricated from 1.2mm galvanized steel

**Installation:**

Secure the mounting bracket to wall with screws using the holes provided

Position the mirror over mounting bracket to engage the hanger tabs

Slide the mirror down and lock it into position



Phone: (02) 95344031

Fax: (02) 95841030

[www.starwashroom.com.au](http://www.starwashroom.com.au)

Email: [info@starwashroom.com.au](mailto:info@starwashroom.com.au)

ABN: 78 146 670 493 | ACN: 146 670 493

Unit 2 , 41-45 Lorraine St , Peakhurst NSW 2210

P O Box 2210 , Peakhurst NSW 2210