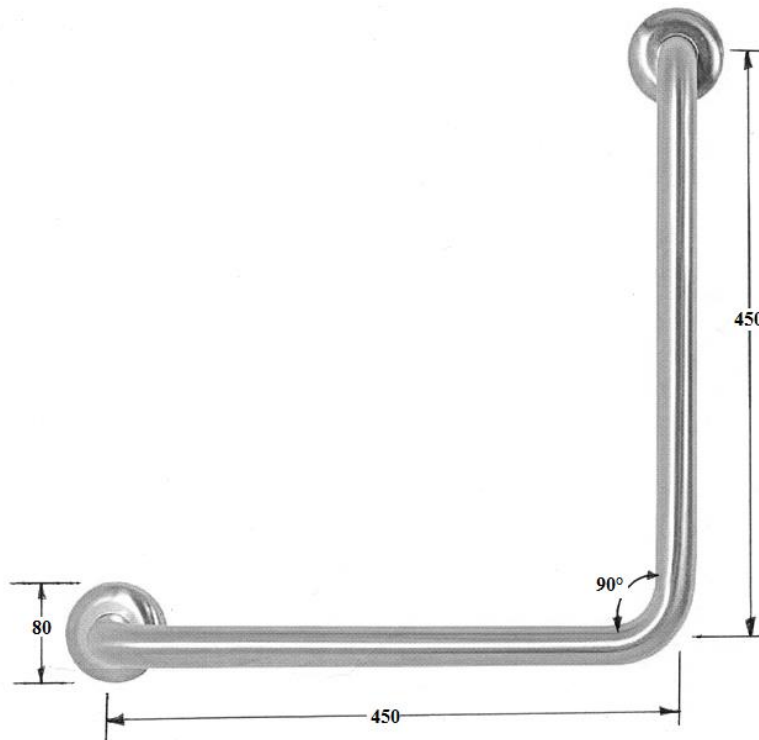


**TECHNICAL DATA
AMBULANT GRAB RAIL
STAINLESS STEEL**

MODEL S32-014



S32-014 Bent 90 degrees

Material: 32mm Type 304 Stainless steel with a satin finish

Construction:

Rail - fabricated of type 304 - 1.2mm stainless steel

Flange - fabricated of type 304 – 3.0mm stainless steel with 3 fixing holes

Cover - fabricated of type 304 - 0.7mm stainless steel

The flange is fully welded to the rail and the cover snaps onto the flange

Installation:

Secure to the wall with the mounting screws using the holes provided



Phone: (02) 95344031

Fax: (02) 95841030

www.starwashroom.com.au

Email: info@starwashroom.com.au

ABN: 78 146 670 493 | ACN: 146 670 493

Unit 2 , 41-45 Lorraine St , Peakhurst NSW 2210
P O Box 2210 , Peakhurst NSW 2210