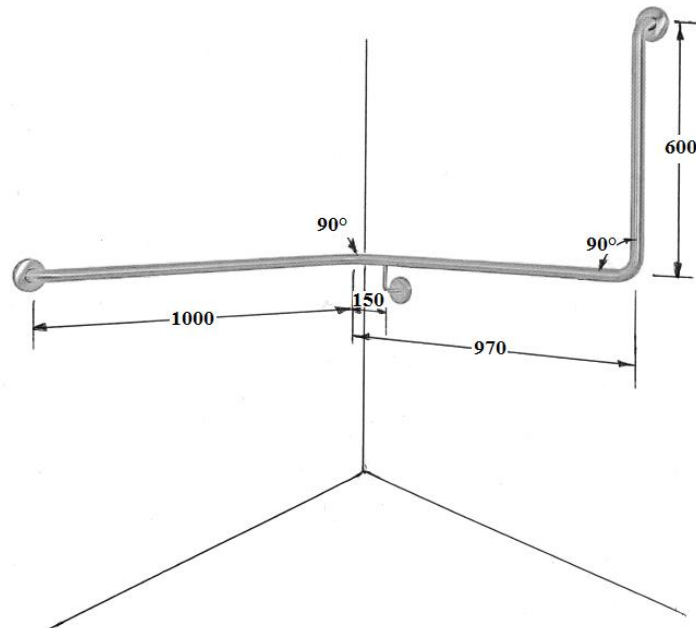


**TECHNICAL DATA**  
**TWO WALL GRAB RAIL**  
**STAINLESS STEEL**

**MODEL S32-020-90**  
**S32-021-90**



**S32-020-90** (As per photograph)  
**S32-021-90** Opposite hand

**Material:** 32mm Type 304 stainless steel with a satin finish

**Construction:**

The rail is fabricated from type 304 - 1.2mm stainless steel  
Under slung support is fabricated from type 304 - 12mm stainless steel round bar  
The flanges are fabricated from type 304 - 3.0mm stainless steel with 3 fixing holes  
The covers are fabricated from type 304 - 0.7mm stainless steel  
The flange is fully welded to the rail and the covers snap onto the flanges

**Installation:**

Secures to the wall with mounting screws using the holes provided



Phone: (02) 95344031

Fax: (02) 95841030

[www.starwashroom.com.au](http://www.starwashroom.com.au)

Email: [info@starwashroom.com.au](mailto:info@starwashroom.com.au)

ABN: 78 146 670 493 | ACN: 146 670 493

Unit 2 , 41-45 Lorraine St , Peakhurst NSW 2210  
P O Box 2210 , Peakhurst NSW 2210