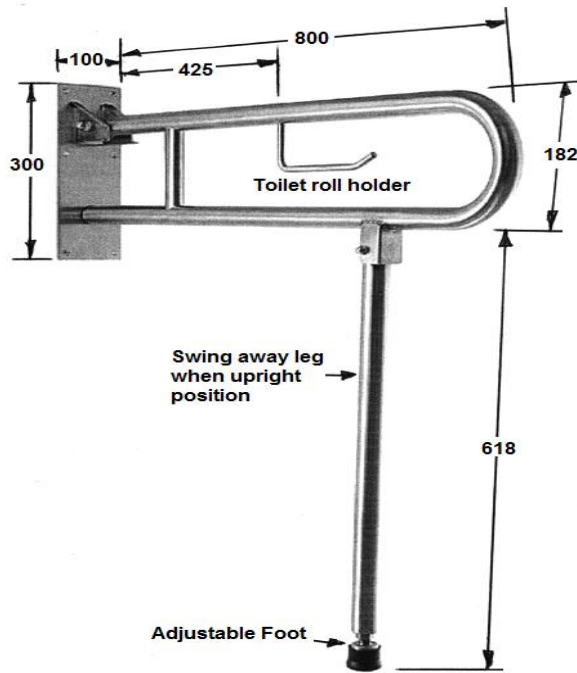


**TECHNICAL DATA**  
**BARIATRIC DROP DOWN**  
**GRAB RAIL STAINLESS STEEL**

**MODEL S32-025-10-50**



**Optional:**

**S32-025-50** Grab rail with drop down adjustable support leg

**S32-025-10-15-50** Grab rail with drop down adjustable support leg, toilet roll holder and nurse call box

**Material:** 32mm Type 304 stainless steel with a satin finish

**Construction:**

Grab rail - fabricated of type 304 - 1.2mm stainless steel

Backing plate - fabricated of type 304 - 5mm stainless steel

Nurse call box is fabricated from type 304 satin finish stainless steel, fully welded for waterproofing

The toilet roll holder is fabricated from 12mm solid stainless steel rod

**Installation:**

Secure to the wall with mounting screws using the holes provided

The grab rail locks in the upright position



Phone: (02) 95344031

Fax: (02) 95841030

[www.starwashroom.com.au](http://www.starwashroom.com.au)

Email: [info@starwashroom.com.au](mailto:info@starwashroom.com.au)

ABN: 78 146 670 493 | ACN: 146 670 493

Unit 2 , 41-45 Lorraine St , Peakhurst NSW 2210

P O Box 2210 , Peakhurst NSW 2210