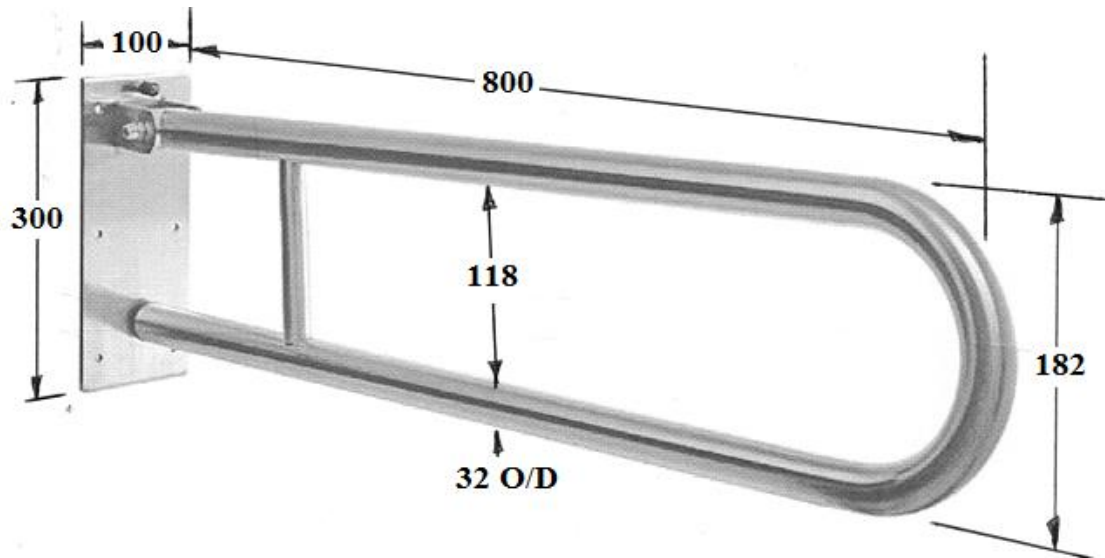


**TECHNICAL DATA  
DROP DOWN GRAB RAIL  
STAINLESS STEEL**

**MODEL S32-025**



**Optional:**

**S32-025-10** Grab rail with toilet roll holder

**S32-025-15** Grab rail with nurse call box

**Material:** 32mm Type 304 stainless steel with a satin finish

**Construction:**

Grab rail- fabricated of type 304 - 1.2mm stainless steel

Backing plate - fabricated of type 304 - 5mm stainless steel

**Installation:**

Secure to the wall with mounting screws using the holes provided



Phone: (02) 95344031

Fax: (02) 95841030

[www.starwashroom.com.au](http://www.starwashroom.com.au)

Email: [info@starwashroom.com.au](mailto:info@starwashroom.com.au)

ABN: 78 146 670 493 | ACN: 146 670 493

Unit 2 , 41-45 Lorraine St , Peakhurst NSW 2210

P O Box 2210 , Peakhurst NSW 2210