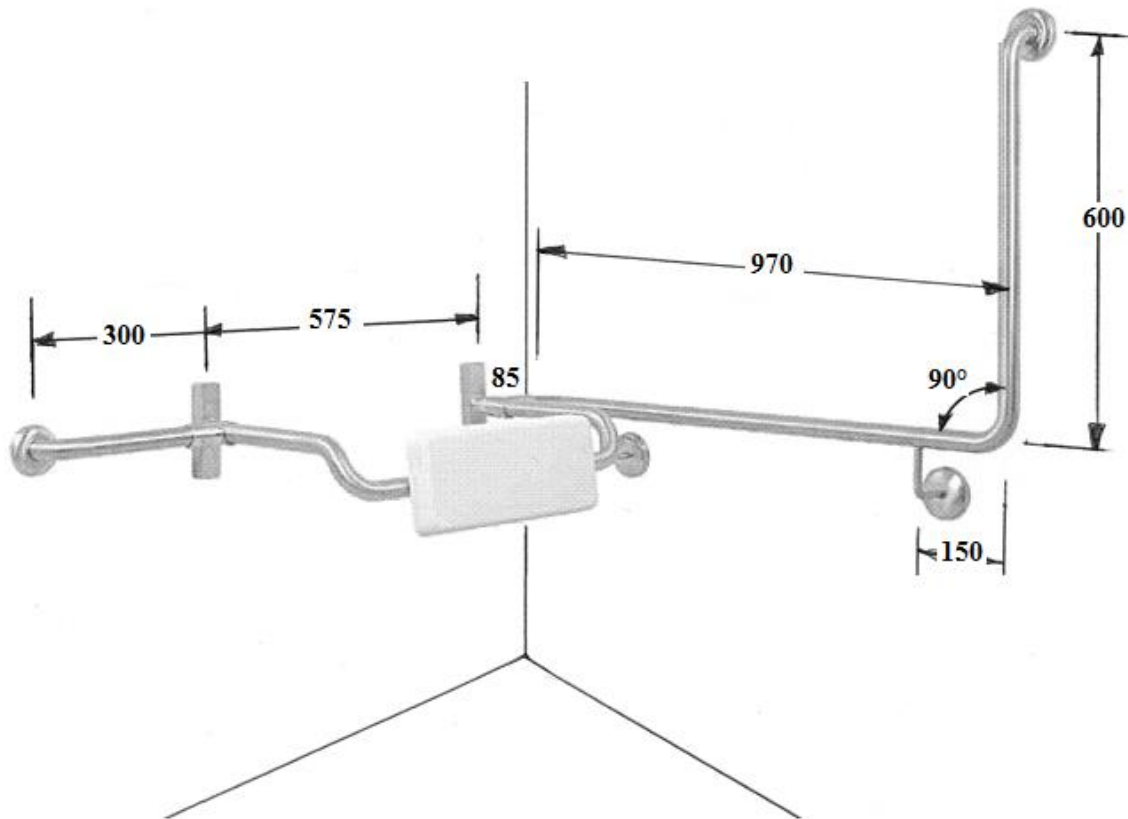


TECHNICAL DATA
BACKREST WITH TWO WALL GRAB RAIL
STAINLESS STEEL

MODEL S32-032-90°
S32-033-90°



S32-032-90° (As per photograph)
S32-033-90° Opposite hand

Material: 32mm Type 304 stainless steel with a satin finish

Construction:

Rail- fabricated of type 304 - 1.2mm stainless steel

Back rest flange is fabricated from type 304 heavy cast stainless steel with 3 fixing holes

Grab rail flange is fabricated of type 304 – 3.0mm stainless steel with 3 fixing holes

Flange cover is fabricated from type 304 - 0.7mm stainless steel

The flange is fully welded to the rail and the cover snaps onto the flange

Back rest cushion is fabricated from 40mm white polyurethane

Installation:

Secure to the wall with mounting screws using the holes provided



Phone: (02) 95344031

Fax: (02) 95841030

www.starwashroom.com.au

Email: info@starwashroom.com.au

ABN: 78 146 670 493 | ACN: 146 670 493

Unit 2 , 41-45 Lorraine St , Peakhurst NSW 2210
P O Box 2210 , Peakhurst NSW 2210